



As the product is constantly updated, product information and data will be subject to change without notice.
If the sample picture is not consistent with the actual product, the actual product shall prevail. If you need the latest information, please contact our company or local agent.

si&hel[®]

ZHEJIANG SHIHE ELECTRIC CO.,LTD

Add:666 Lehu Road, Shahu Industrial Zone, Liushi, Yueqing City,

Zhejiang Province

Tel:0577-62707852

email: shihedq@163.com



si&hel[®]
SHIHE ELECTRIC



Button switch

Photovoltaic DC switch

Isolating switch

Terminal blocks



ZHEJIANG SHIHE ELECTRIC CO., LTD

COMPANY CERTIFICATE

Certificate of Compliance

Report Reference: 154079-0241931

Issue Date: 2014-10-31

Certificate of Compliance

Report Reference: 6340179-0241931

Issue Date: 2014-10-31

Zertifikat

Registration No.: AN 80181681 0001

Report No.: CN21848 001

Certificate of Conformity

Registration No.: AN 80181681 0001

Report No.: CN21848 001

VERIFICATION OF EMC COMPLIANCE

Test Report Number: T12.0032638694

Date of issue: August 27, 2014

VERIFICATION OF EMC COMPLIANCE

Test Report Number: T12.0032638694

Date of issue: August 27, 2014

VERIFICATION OF LVD COMPLIANCE

Test Report Number: T12.0032638694

Date of issue: August 27, 2014

VERIFICATION OF LVD COMPLIANCE

Test Report Number: T12.0032638694

Date of issue: August 27, 2014



Zhejiang Shihe Electric Co., Ltd. is located in Liushi, Wenzhou, known as the "Electric Capital of China". It is a technology-oriented enterprise integrating R&D, manufacturing and sales.

The company specializes in manufacturing electrical products such as signal lights and buttons, universal changeover switches, photovoltaic switches, load disconnectors, and terminal blocks. The products comply with national standards and IEC standards and have passed ISO9001 certification, CQC certification, CE certification, CB certification, TUV certification, and UL certification.

Relying on its leading technological level, the company's products are supplied to well-known domestic enterprises and have established OEM cooperation with foreign brands, selling well both domestically and internationally. The company has complete production lines including molds, injection molding, stamping and assembly, and continuously promotes technological research and development and innovation.

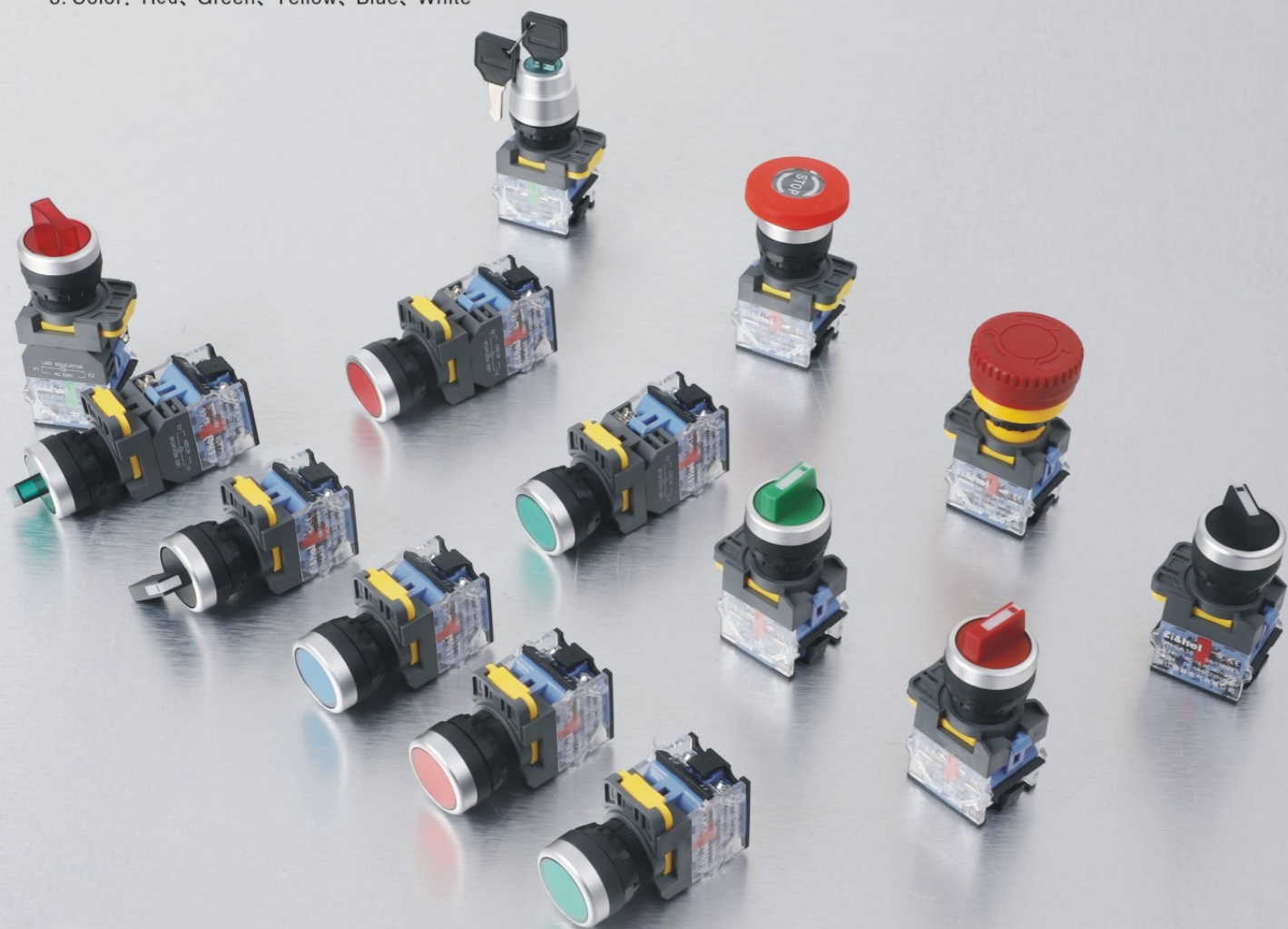
Shihe Electric adheres to the concept of "Ingenious Craftsmanship, Endless Innovation.", constantly improving product quality and service level. We look forward to achieving win-win cooperation with you.

CONTENTS

01 Button indicator series	
SH-LA38 Series pushbutton switch	01-02
SH-LA28 Series pushbutton switch	03-04
SH-B2 Series pushbutton switch	05-07
AD16 Series signal light	08-09
SH-GQ Series metal pushbutton switch	10-11
Button box	12-13
02 Waterproof box series	
GF40 Photovoltaic switch waterproof box series	14-20
GF51 Series photovoltaic DC switch	21-24
SHP Series waterproof box.....	25-27
LW28 Series waterproof box.....	28-29
03 Changeover switch series	
LW28 Series universal switch	30-41
04 Load isolating switch series	
Sh30 Series load isolating switch	42-45
05 Load isolating switch series	
UK Series terminal blocks	46-52

SH-LA38 Series pushbutton switch

1. Mounting hole size: $\Phi 22$.
2. Switch rating: $U_i 440V, I_{th} 10A$.
3. Mechanical life: ≥ 2 million times.
4. Electrical life: ≥ 500000 times.
5. Contact structure: 11/20/02/10/01/22/40/04/33.
6. With lamp voltage: AC/DC: 3V, 6V, 12V, 24V, 36V, 48V, 110V, 220V
AC: 110V, 220V, 380V
7. Operation type: Null-Self-replication; ZS-Self-locking type;
8. Color: Red, Green, Yellow, Blue, White



SH-LA38 Series pushbutton switch

⊖ Contact structure 11/20/02/10/01/22/40/04/33

◇ Operation type Null-Self-replication;
ZS-Self-locking type

△ With lamp voltage AC/DC: 3V, 6V, 12V, 24V, 36V, 48V, 110V, 220V
AC: 110V, 220V, 380V

○ Color R G Y BU W BK

⊖ Operating position 21: Two position holding type/22: Two-position reset type/
31: Three position holding type/33: Three position reset type/32: Three position left self-locking right reset



SH-LA38-11BN/R



SH-LA38-11BN/G



SH-LA38-11BN/Y



SH-LA38-11BN/BU



SH-LA38-11DN/R



SH-LA38-11DX/21



SH-LA38-11XB/31



SH-LA38-11Y/21



SH-LA38-11MZS



SH-LA38-11MZS/STOP



SH-LA38-11MZS



SH-LA38-11MD



SH-LA38-11BN/S



SH-LA38-11E/S



SH-LA38-11D

SH-LA28 Series pushbutton switch

1. Mounting hole size: $\Phi 22$.
2. Switch rating: Ui 440V, Ith 10A.
3. Mechanical life: ≥ 2 million times.
4. Electrical life: ≥ 500000 times.
5. Contact structure: 11/20/02/10/01/22/40/04/33.
6. With lamp voltage: AC/DC: 3V, 6V, 12V, 24V, 36V, 48V, 110V, 220V
AC: 110V, 220V, 380V
7. Operation type: Null-Self-replication; ZS-Self-locking type;
8. Color: Red, Green, Yellow, Blue, White



SH-LA28 Series pushbutton switch

⊖ Contact structure 11/20/02/10/01/22/40/04/33

◇ Operation type Null-Self-replication;
ZS-Self-locking type

△ With lamp voltage AC/DC: 3V, 6V, 12V, 24V, 36V, 48V, 110V, 220V
AC: 110V, 220V, 380V

○ Color R G Y BU W BK
⊖ Operating position 21: Two position holding type/22: Two-position reset type/
31: Three position holding type/32: Three position reset type/33: Three position left self-locking right reset



SH-LA28-10BN/R



SH-LA28-10BN/G



SH-LA28-10DX/21/G



SH-LA28-10DX/21/R



SH-LA28-10X/21



SH-LA28-10BX/21



SH-LA28-10YX/21



SH-LA28-10X/21/G



SH-LA28-10MZS



SH-LA28-10ZS/STOP



SH-LA28-10MZS



SH-LA28-11D

SH-B2 Series pushbutton switch

1. Mounting hole size: $\Phi 22$.
2. Switch rating: $U_i 440V, I_{th} 10A$.
3. Mechanical life: ≥ 2 million times.
4. Electrical life: ≥ 500000 times.
5. Contact structure: 10/01/20/02/30/40/21/12/22/33.
6. With lamp voltage: AC/DC: 3V, 6V, 12V, 24V, 36V, 48V, 110V, 220V
AC: 110V, 220V, 380V
7. Operation type: Null-Self-replication; ZS-Self-locking type;
8. Color: Red, Green, Yellow, Blue, White



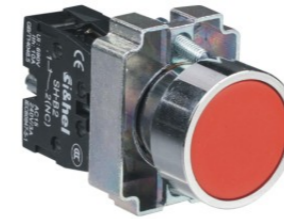
SH-B2 Series pushbutton switch

⊖ Contact structure 10/01/20/02/30/40/21/12/22/33

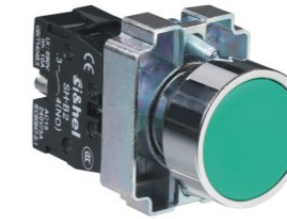
◇ Operation type Null-Self-replication
ZS-Self-locking type

△ With lamp voltage AC/DC: 3V, 6V, 12V, 24V, 36V, 48V, 110V, 220V
AC: 110V, 220V, 380V

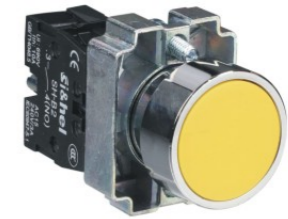
○ Color R G Y BU W BK
⊖ Operating position 21: Two position holding type/22: Two-position reset type/
31: Three position holding type/33: Three position reset type



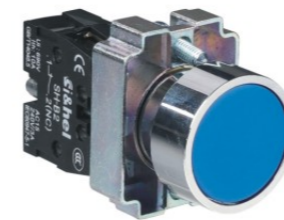
SH-B2-10B/R(SH-XB2-BA42)



SH-B2-10B/G(SH-XB2-BA31)



SH-B2-10B/Y(SH-XB2-BA51)



SH-B2-10B/BU(SH-XB2-BA61)



SH-B2-10B/W(SH-XB2-BA11)



SH-B2-10B/BK(SH-XB2-BA21)



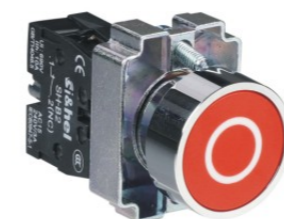
SH-B2



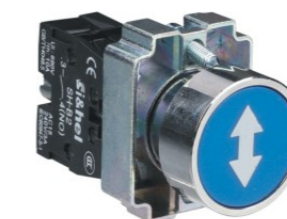
SH-B2-10DB/R AC220V
(SH-XB-BW34B1C)



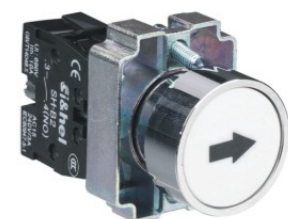
SH-B2-10DB/G AC/DC24V
(SH-XB2-BW33B1C)



SH-B2-BA4322



SH-B2-BA3361



SH-B2-BA3341

SH-B2 Series pushbutton switch

☒ Contact structure 10/01/20/02/30/40/21/12/22/33

◇ Operation type Null-Self-replication;
ZS-Self-locking type

△ With lamp voltage AC/DC: 3V, 6V, 12V, 24V, 36V, 48V, 110V, 220V
AC: 110V, 220V, 380V

☒ Operating position 21: Two position holding type/22: Two-position reset type/
31: Three position holding type/33: Three position reset type

○ Color **R** **G** **Y** **BU** **W** **BK**



SH-B2-BC42



SH-B2-BC41



SH-B2-BC21



SH-B2-BG21



SH-B2-BD33



SH-B2(SH-B2-BJ21)



SH-B2-10YM/R(SH-B2-BC142)



SH-B2-BS532



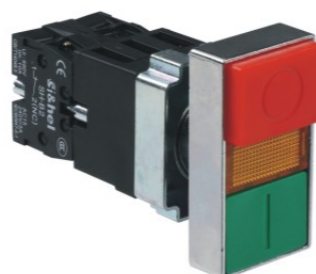
SH-B2-BS542



SH-B2-BS562



SH-B2-11B/R.G(SH-B2-BL8325)



SH-B2-11D/R.G AC220V
(SH-B2-BL8465)

AD16 Series signal indicator

1. Mounting hole size: $\Phi 16$, $\Phi 22$.
2. Working life: ≥ 40000 hours.
3. Usage frequency: 50~60Hz.
4. Rated operating current: ≤ 20 mA.
5. Radiance: ≥ 100 cd/m².
6. Brightness compared to leakage tracking index CT1, flame retardant.
7. Color: Red, Green, Yellow, Blue, White
8. Working voltage
AC/DC: 6V, 12V, 24V, 36V, 48V,
110V, 220V, 380V
AC: 110V, 220V, 380V



SH16 Series signal indicator

△ Working voltage	AC/DC: 6V, 12V, 24V, 36V, 48V, 110V, 220V, 380V AC: 110V, 220V, 380V	○ Color	R G Y BU W BK
☆ Interference voltage volts	The specific voltage value needs to be indicated		



SH16-22DS/W AC220V



SH16-22DS/Y AC220V



SH16-22DS/BU AC220V



SH16-22DS/R AC220V



SH16-22DS/G AC220V



SH16-22SM/AC220V

SH-GQ Series metal pushbutton switch

1. Contact structure: 11:One normally open+one normally closed; 22:Two normally open+two normally closed
2. With lamp voltage: 1.8V, 3V, 6V, 12V, 24V, 36V, 48V, 110V, 220V, 380V
3. Operation type: Null-Self-replication; Z-Self-locking type;
4. Color: Red, Green, Yellow, Blue, White



SH-GQ Series metal pushbutton switch

⊖ Contact structure 11: One normally open+one normally closed
22: Two normally open+two normally closed

◇ Operation type Null-Self-replication;
ZS-Self-locking type

△ With lamp voltage 1.8V, 3V, 6V, 12V, 24V, 36V,
48V, 110V, 220V, 380V

☆ Shell material N: Brass chrome plating/S: stainless steel/
A: Aluminum alloy plating

○ Color R G Y BU W

⊖ Operating position 21: Two position holding type
31: Three position holding type



Φ16 Flat button
SH-GQ16PN-⊖◇/☆



Φ16 Flat button power supply marker lamp
SH-GQ16PN-⊖◇E/☆△



Φ16 High button ring lamp
SH-GQ16GN-⊖◇E/☆△



Φ16 Flat button annular lamp with power supply sign
SH-GQ16PN-⊖◇EP/☆△



Φ19 Flat button ring lamp
SH-GQ19PN-⊖◇E/☆△



Φ19 Flat button annular lamp with power supply sign
SH-GQ19PN-⊖◇EP/☆△



Φ19 Flat button
SH-GQ19PN-⊖◇/☆



Φ22 Flat button ring lamp
SH-GQ22PN-⊖◇EP/☆△



Φ22 Flat button annular lamp with power supply sign
SH-GQ22PN-⊖◇EP/☆△



Φ22 Flat button
SH-GQ22PN-⊖◇/☆



Φ16 Small head emergency stop button
SH-GQ16-⊖ZS/☆



Φ19 Small head emergency stop button
SH-GQ19-⊖ZS/☆

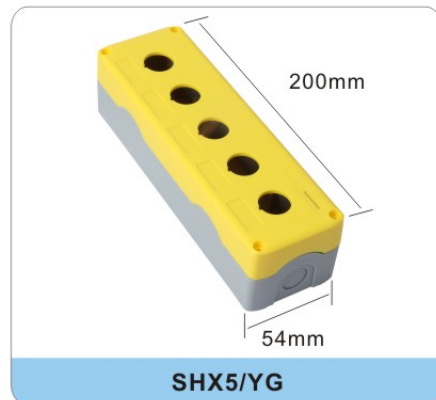
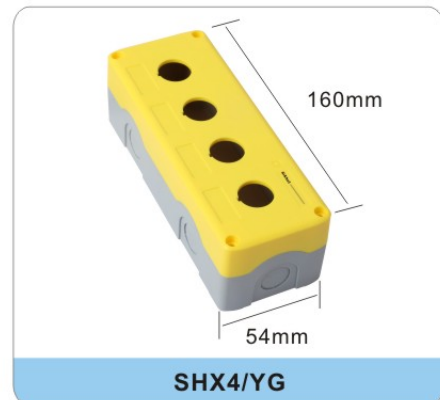


Φ22 Small head emergency stop button
SH-GQ22-⊖ZS/☆

Button box



Button box

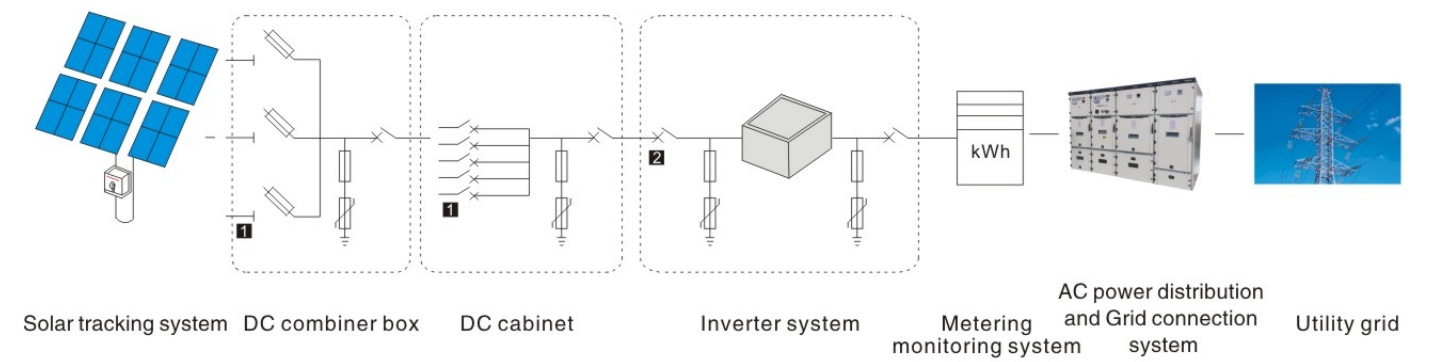


Photovoltaic switch waterproof box series

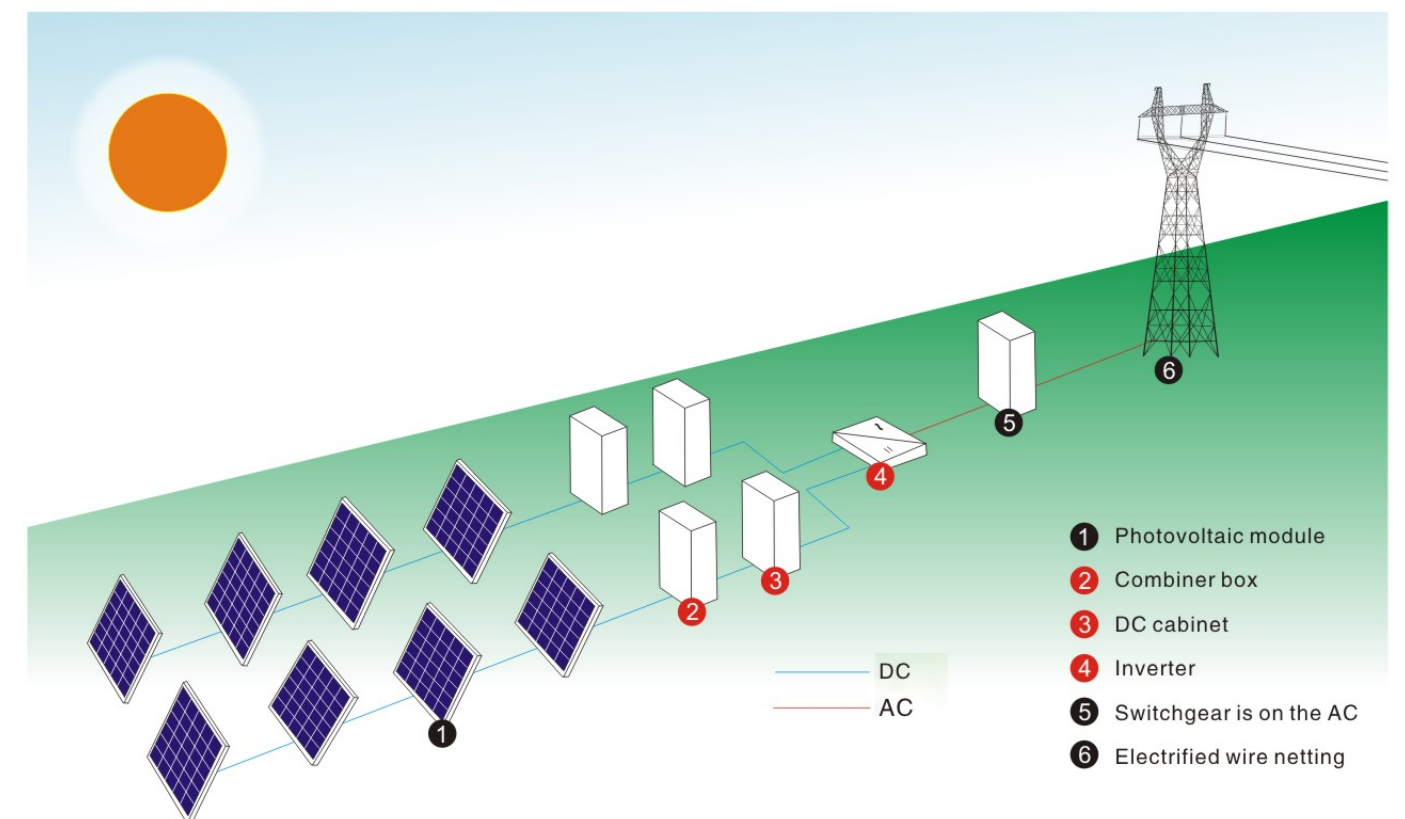
The DC distribution photovoltaic system adopts isolated type

◆ **System requirements**

Generally speaking, the voltage on the DC side of a photovoltaic system is usually high, up to 1000 VDC. Therefore, we need a switch gear with $U_e=1000VDC$. The branch in the combiner box need to be protected and the main circuit equipment in the combiner box and DC cabinet need to be isolated from the function 1. With 1000VDC load switching or remote operation function. In addition, it is necessary to install a switchgear 2 on the DC side of the inverter cabinet to switch with the load and isolate it for maintenance.



◆ **Flow chart**



Photovoltaic switch waterproof box series



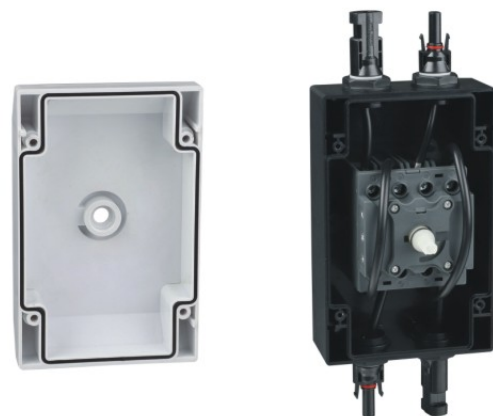
GF40

DC Disconnect

◆Product features

Each pole contact is equipped with an arc extinguishing system that can extinguish the arc immediately when the switch is closed.

- UV resistant IP66 housing
- Extremely short power off time of about 2ms
- The cover is removable only in the "closed" position
- Ground terminal
- IEC60947-3, AS/NZS60947.3: 2015
- DC-PV1 DC-PV2 DC-21B
- 10A-32A DC1200V
- Convenient installation



This product has passed the IEC authorized Lab IP66 waterproof test. Our company will also conduct lake simulation tests from time to time, similar to the customer's use environment, to ensure that this product fully meets the IP66 protection level.



Photovoltaic switch waterproof box series

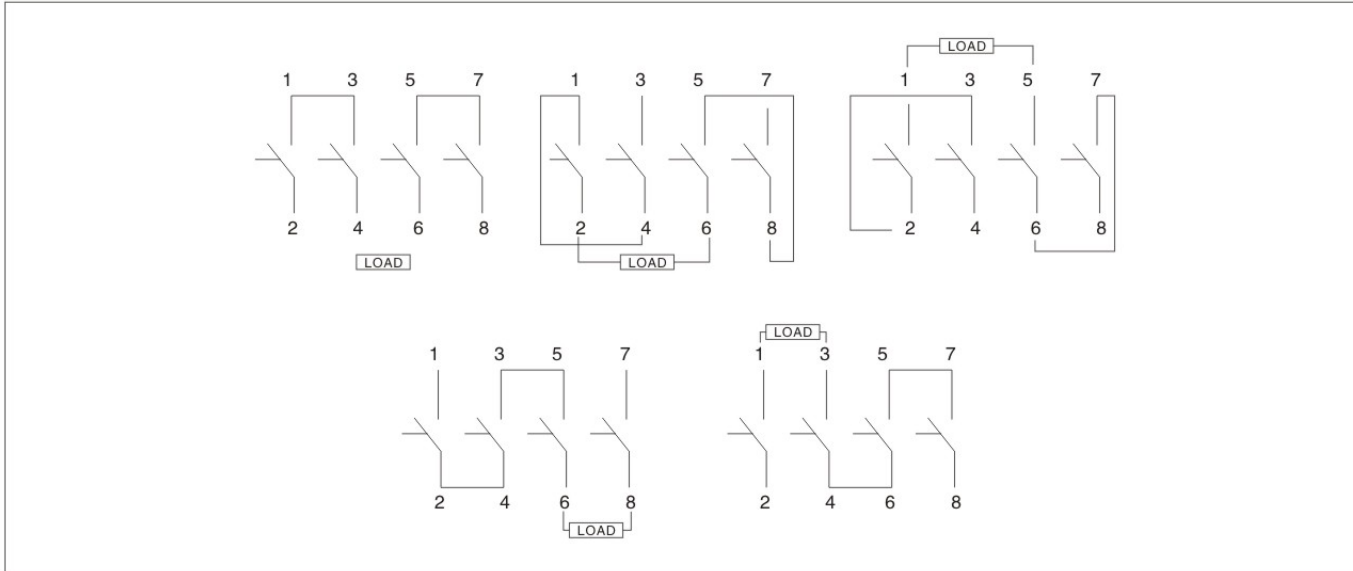
◆Technical parameter

Rated voltage	1000VDC~1200VDC
IP rating	IP66
line type	M20 M25 MC4
Rated current	10A,16A,20A,25A,32A
Working temperature	-25℃~+85℃
standard	IEC60947-3, AS/NZS60947.3:2015

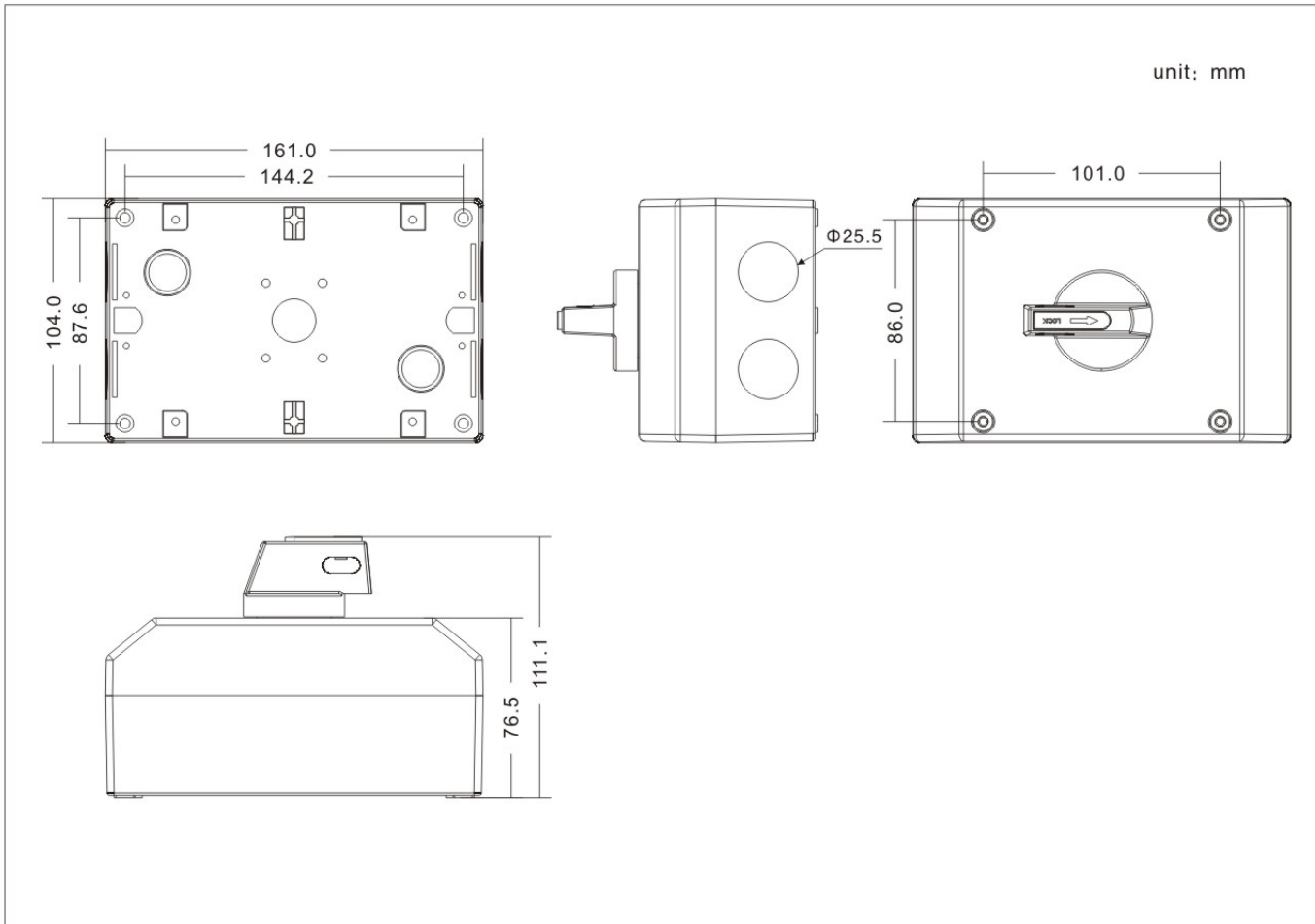
Contact Configuration	600V	800V	1000V	1200V	poles number	series connection	Model
	16A	16A	9A	9A	2	1	GF40-16P2
	25A	20A	11A	11A	2	1	GF40-25P2
	32A	23A	13A	13A	2	1	GF40-32P2
	29A	16A	9A	9A	2	1	GF40-16P2H
	45A	20A	11A	11A	2	1	GF40-25P2H
	50A	23A	13A	13A	2	1	GF40-32P2H
	16A	16A	9A	9A	2	2	GF40-16P4
	25A	20A	11A	11A	2	2	GF40-25P4
	32A	23A	13A	13A	2	2	GF40-32P4
	16A	16A	16A	16A	4	1	GF40-16P4S
	25A	25A	25A	25A	4	1	GF40-25P4S
	32A	32A	32A	32A	4	1	GF40-32P4S
	16A	16A	16A	16A	4	1	GF40-16P4B
	25A	25A	25A	25A	4	1	GF40-25P4B
	32A	32A	32A	32A	4	1	GF40-32P4B
	16A	16A	16A	16A	4	1	GF40-16P4T
	25A	25A	25A	25A	4	1	GF40-25P4T
	32A	32A	32A	32A	4	1	GF40-32P4T

DC 1500V voltage requires customization

◆ **Contact configuration**



◆ **Overall dimensions and installation dimensions**



DIN rail mounted main switch

◆ **Product features**

- DIN rail mounting
- Extremely short power off time of about 3ms
- 2-pole and 4-pole options
- IEC60947.3 standard
- DC21B: 16A, 25A, 32A-1500V DC



◆ **Technical parameter**

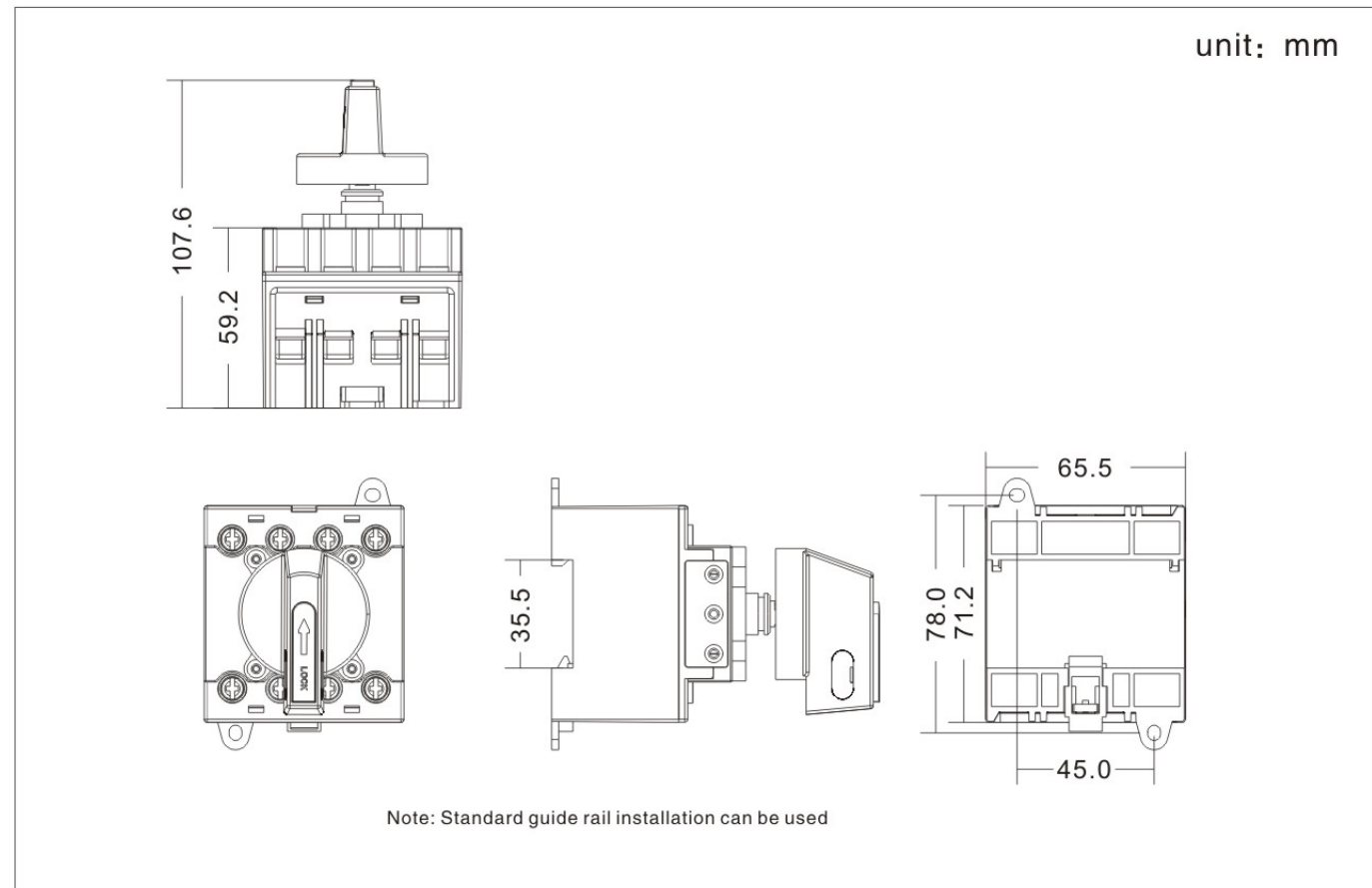
Contact Configuration	600V	800V	1000V	1200V	Poles number	Series connection	Model
	16A	16A	16A	9A	2	1	GF40.2-16 D2
	25A	25A	20A	11A	2	1	GF40.2-25 D2
	32A	32A	23A	13A	2	1	GF40.2-32 D2
	29A	29A	16A	9A	2	1	GF40.2-16 D2H
	45A	45A	20A	11A	2	1	GF40.2-25 D2H
	58A	58A	23A	13A	2	1	GF40.2-32 D2H
	16A	16A	16A	9A	2	2	GF40.2-16 D4
	25A	25A	20A	11A	2	2	GF40.2-25 D4
	32A	32A	23A	13A	2	2	GF40.2-32 D4
	16A	16A	16A	16A	4	1	GF40.2-16 D4S
	25A	25A	25A	25A	4	1	GF40.2-25 D4S
	32A	32A	32A	32A	4	1	GF40.2-32 D4S
	16A	16A	16A	16A	4	1	GF40.2-16 D4B
	25A	25A	25A	25A	4	1	GF40.2-25 D4B
	32A	32A	32A	32A	4	1	GF40.2-32 D4B
	16A	16A	16A	16A	4	1	GF40.2-16 D4T
	25A	25A	25A	25A	4	1	GF40.2-25 D4T
	32A	32A	32A	32A	4	1	GF40.2-32 D4T

DC 1500V voltage requires customization

◆ Transfer switch configuration

Model	2-pole	2-pole 4 parallel poles	4 parallel poles	4 parallel poles Input at top Output at bottom	4 parallel poles Inputs and Outputs At the bottom	4 parallel poles Inputs and Outputs At the top
GF40.2-16	2	2H	4	4S	4B	4T
GF40.2-25	2	2H	4	4S	4B	4T
GF40.2-32	2	2H	4	4S	4B	4T
Contact Wiring Diagram						
Conversion Example						

◆ Overall dimensions and installation dimensions



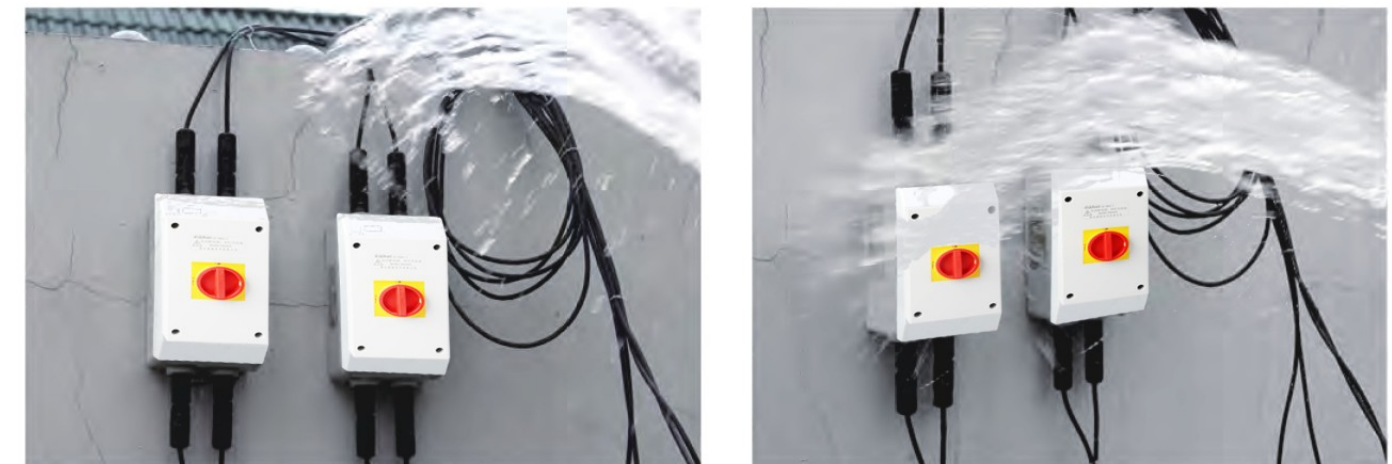
DC Disconnect

◆ Product features

- Each pole contact is equipped with an arc extinguishing system that can extinguish the arc immediately when the switch is closed.
- UV resistant IP66 housing
- Extremely short power off time of about 2ms
- The cover is removable only in the "closed" position
- Ground terminal
- IEC60947-3, AS/NZS60947.3: 2015
- DC-PV1 DC-PV2 DC-21B
- 10A-32A DC1200V
- Convenient installation



This product has passed the IEC authorized Lab IP66 waterproof test. Our company will also conduct lake simulation tests from time to time, similar to the customer's use environment, to ensure that this product fully meets the IP66 protection level.





GF51

DC Disconnect

◆Product features

Each pole contact is equipped with an arc extinguishing system that can extinguish the arc immediately when the switch is closed.

- UV resistant IP66 housing
- Extremely short power off time of about 2ms
- The cover is removable only in the "closed" position
- Ground terminal
- IEC60947-3, AS/NZS60947.3:2015
- DC-PV1 DC-PV2 DC-21B
- 10A-32A DC1200V
- Convenient installation



This product has passed the IEC authorized Lab IP66 waterproof test. Our company will also conduct lake simulation tests from time to time, similar to the customer's use environment, to ensure that this product fully meets the IP66 protection level.



◆Technical parameter

Rated voltage	800VDC~1500VDC
IP rating	IP66
line type	M20 M25 MC4
Rated current	10A,16A,20A,25A,32A
Working temperature	-25℃~+85℃
standard	IEC60947-3, AS/NZS60947.3:2015

Contact Configuration	300V	600V	800V	1500V	Poles number	Series connection	Model
	16A	16A	12A	8A	2	1	GF51-16/2P
	25A	25A	15A	8A	2		GF51-25/2P
	32A	32A	17A	8A	2	1	GF51-32/2P
	35A	35A			2		GF51-16/2H
	40A	40A			2		GF51-25/2H
	45A	40A			2	1	GF51-32/2H
	16A	16A	12A	8A	2	2	GF51-16/4P
	25A	25A	15A	8A	2	2	GF51-25/4P
	32A	32A	17A	8A	2	2	GF51-32/4P
	16A	16A	16A	16A	4	1	GF51-16/4S
	25A	25A	25A	25A	4	1	GF51-25/4S
	32A	32A	32A	32A	4	1	GF51-32/4S
	16A	16A	16A	16A	4	1	GF51-16/4B
	25A	25A	25A	25A			GF51-25/4B
	32A	32A	32A	32A	4	1	GF51-32/4B
	16A	16A	16A	16A			GF51-16/4T
	25A	25A	25A	25A			GF51-25/4T
	32A	32A	32A	32A	4	1	GF51-32/4T

DC 1500V voltage requires customization

GF51 Photovoltaic DC isolation switch



◆Application

GF51 series DC isolation switch is suitable for household or commercial photovoltaic systems with a power of 1-20KW, placed between photovoltaic modules and inverters. The arc time is less than 8 milliseconds, making the solar energy system safer. To ensure its stability and long service life, our products are made of components with the best quality. The maximum voltage can reach 1200V DC. Being safe among similar products Fully leading position.

◆Characteristic

- IP20 protection level
- Installed on DIN rail
- The handle can be locked in the "closed" position
- 2-pole, 4-pole feasible (single I double string)
- Standards: IEC60947-3, AS60947.3
- DC-PV2, DC-PV1, DC-21B
- 16A, 25A, 32A, 1200V DC

Electrical characteristics	
Type	GF51-16、GF51-25、GF51-32
Role	Isolator, control
Standard	IEC60947-3, AS60947.3
Utilization Category	DC-PV2/DC-PV1/DC-21B
The Utmost Point	4P
Rated Frequency	DC
Rated Working Voltage (ue)	300V、600V、800V、1500V
Rated Working Voltage (Ie)	table 1
Rated Insulation Voltage (ui)	1500V
Conventional Free Air Total Flow Rate (/th)	//
Conventional Closed Thermal Current	Same as Ie
Rated Short-time Withstand Current (/kw)	1kA, 1s
Rated Impulse Withstand Voltage (uimp)	8.0kV
Grade	III
Applicability Of Isolation	Apply
POLARITY	
	Non polarity, the polarity of "+" and "-" can be interchanged.
Usage Cycle Operation	
Machinery	18000
Electrical	2000
Installation Environment	
Ingress Protection	Switch body IP20
Storage Temperature	-40℃~+85℃
Installation Type	Vertical or horizontal
Pollution Level	3

GF51 Photovoltaic DC isolation switch

◆Rated voltage/Rated current

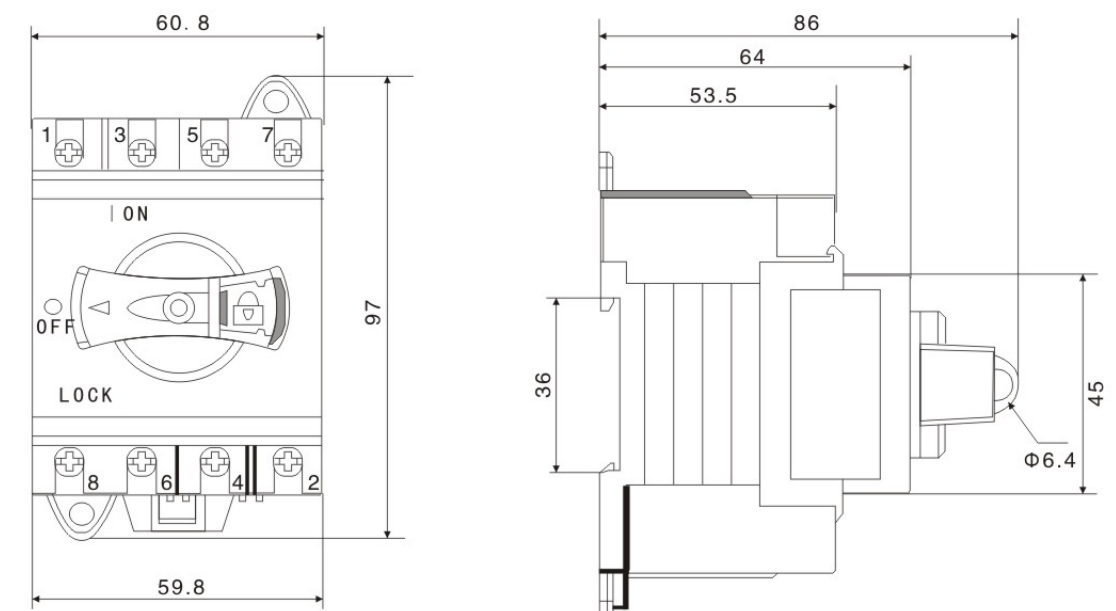
Table1

Wire Connection	Type	300V	600V	800V	1500V
2P/4P	GF51-16 Series	16A	16A	12A	8A
	GF51-25 Series	25A	25A	15A	8A
	GF51-32 Series	32A	32A	17A	8A
4T/4B/4S	GF51-16 Series	16A	16A	16A	16A
	GF51-25 Series	25A	25A	25A	25A
	GF51-32 Series	32A	32A	32A	32A
2H	GF51-16 Series	35A	35A	/	/
	GF51-25 Series	40A	40A	/	/
	GF51-32 Series	45A	40A	/	/

◆Switch configuration

Type	2 pole	4 pole	2 pole & 4 pole series input and output bottom	2 pole & 4 pole series input and output to top	2 pole & 4 pole series input Output at the top and bottom	2 pole & 4 pole parallel poles
/	2P	4P	4T	4B	4S	2H
Wiring diagram						
Switching Example						

◆Dimensions

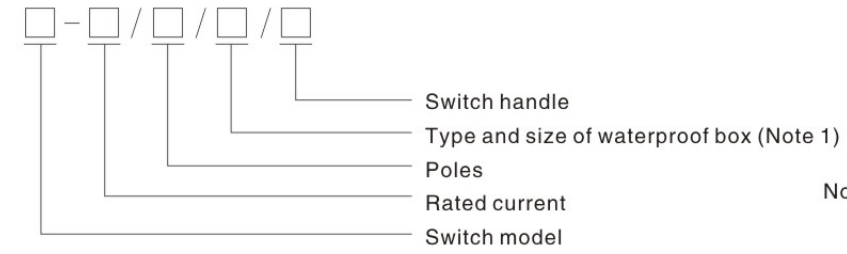


Waterproof box series

1. Type of waterproof box: SHP waterproof box, SH30 waterproof box, LW28 waterproof box
2. Waterproof box size: Various sizes available.

Waterproof box series

◆ **Model designation and its meaning**

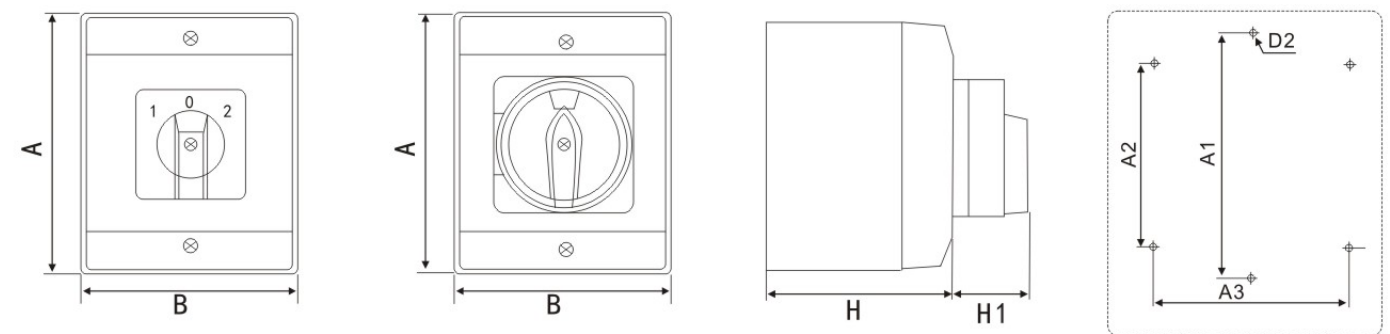


Note1: L0,L1,L3,L5 is SHP waterproof box
H1,H3,H5 is SH30 waterproof box
HF0,HF3,HF5 is LW28 waterproof box

SHP Series waterproof box



◆ **Overall dimensions and installation dimensions**



Model	Overall dimensions				Installation dimensions			
	A	B	H	H1	D2	A1	A2	A3
SHP0-16/20	100	80	65	35	φ4.5	92	60	60
SHP1-25/32	125	100	85	35	φ4.5	115	80	80
SHP3-40/63	175	115	100	35	φ4.5	165	90	90
SHP5-80/100/125	240	160	95	35	φ4.5		193	142

Waterproof box series

SH30 Series waterproof box

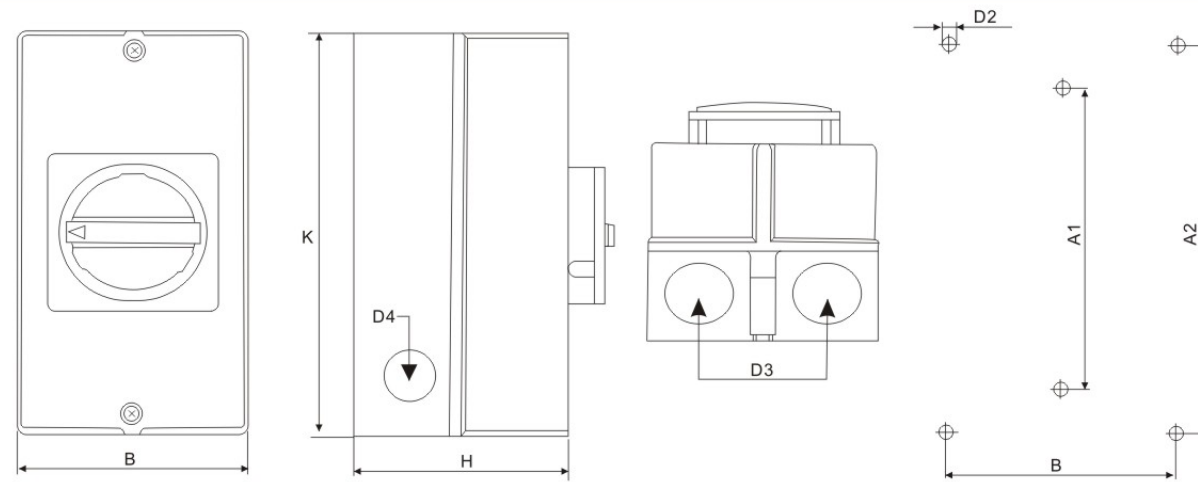


SH30-32/3/H1/GSB

SH30-63/3/H3/GSB

SH30-100/3/H5/GSB

◆ Overall dimensions and installation dimensions



Model	Overall dimensions					Installation dimensions			
	D3	D4	H	B	K	A1	A2	B	D2
SH30-20/25/32	Φ23	Φ19	82	85	160	150			Φ4.2
SH30-40/63	Φ29	Φ23	93	100	190	178			Φ4.2
SH30-80/100/125	Φ37.5	Φ23	107	145	250		229	124	Φ6.5

◆ Technical parameter

Model	SH30-20/25	SH30-32	SH30-40	SH30-63	SH30-80	SH30-100	SH30-125
Rated operating voltage U _e V	240 440	240 440	240 440	240 440	240 440	240 440	240 440
Agreed heating current I _{th} A	25	32	40	63	80	100	125
Rated operating current I _e							
AC-21A A/KW	25/- 25/-	32/- 32/-	40/- 40/-	63/- 63/-	80/- 80/-	100/- 100/-	125/- 125/-
AC-22A A/KW	25/- 25/-	32/- 32/-	40/- 40/-	63/- 63/-	80/- 80/-	100/- 100/-	125/- 125/-
AC-23A A/KW	15/4 15/7.5	22/5.5 22/11	30/7.5 30/15	43/11 43/22	57/18.5 57/30	70/22 70/37	90/30 90/45
AC-3 A/KW	11.7/3 11.7/5.5	15/4 15/7.5	22/7.5 22/11	36/11 36/18.5	43/15 43/22	57/18.5 57/30	70/22 70/37

Waterproof box series

LW28 Series waterproof box



LW28-20/D0414/2/HF0

LW28-20/D1050/4/HF0

LW28-63/D0414/2/HF3

LW28-63/D1050/4/HF3

LW28-125/D1050/4/HF5



LW28-20/2/HF0/GS04-1

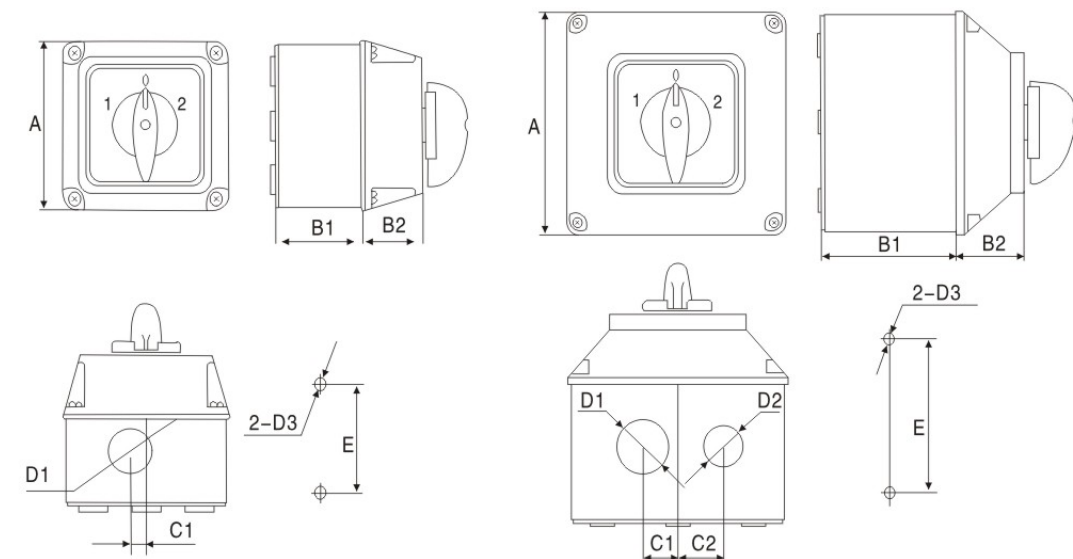
LW28-20/4/HF0/GS04-1

LW28-63/2/HF3/GS04-2

LW28-63/4/HF3/GS04-2

LW28-125/4/HF5/GS04-3

◆ Overall dimensions and installation dimensions



◆ Overall dimensions and installation dimensions

Model	Overall dimensions							Installation dimensions		number	remarks
	A	B1	B2	C1	C2	D1	D2	D3	E		
LW28-20	□68.5	46	25.5	6.5		Φ18		Φ5	44	1-2	
LW28-20	□68.5	78	25.5	6.5		Φ18		Φ5	44	1-7	
LW28-20	□113	72	35.5	18	23.5	Φ27	Φ21	Φ5	78	1-6	
LW28-20	□113	123	35.5	18	23.5	Φ27	Φ21	Φ5	78	1-11	
LW28-25	□68.5	46	25.5	6.5		Φ18		Φ5	44	1-2	
LW28-25	□68.5	78	25.5	6.5		Φ18		Φ5	44	1-7	
LW28-25	□113	72	35.5	18	23.5	Φ27	Φ21	Φ5	78	1-5	
LW28-25	□113	123	35.5	18	23.5	Φ27	Φ21	Φ5	78	1-8	
LW28-32F	□68.5	46	25.5	6.5		Φ18		Φ5	44	1-2	
LW28-32F	□68.5	78	25.5	6.5		Φ18		Φ5	44	1-2	
LW28-32F	□113	72	35.5	18	23.5	Φ27	Φ21	Φ5	78	1-3	
LW28-32F	□113	123	35.5	18	23.5	Φ27	Φ21	Φ5	78	1-5	
LW28-32	□113	72	35.5	18	23.5	Φ27	Φ21	Φ5	78	1-4	
LW28-32	□113	123	35.5	18	23.5	Φ27	Φ21	Φ5	78	1-7	
LW28-63	□113	72	35.5	18	23.5	Φ27	Φ21	Φ5	78	1-3	
LW28-63	□113	123	35.5	18	23.5	Φ27	Φ21	Φ5	78	1-6	
LW28-125	□137	171	35.5	18	23.5	Φ27	Φ21	Φ5	78	1-4	
LW28-160	□137	171	35.5	18	23.5	Φ27	Φ21	Φ5	78	1-4	

Stainless steel waterproof box



LW28 Series universal switch

1. Rated operating voltage: Below AC440V, below DC240V
2. Rated current: 10A, 20A, 25A, 32A, 63A, 125A, 160A
3. Rated frequency: AC50Hz



www.zjsihe.com

LW28 Series universal switch

www.zjsihe.com

LW28 Series universal switch

◆ Product Introduction

LW28 series universal transfer switches are mainly suitable for electrical circuits with dry AC 50Hz, rated working voltage 440V and below, DC voltage 240V and below, and rated current up to 160A. They are used for infrequent manual connection or disconnection of circuits for control or conversion purposes, as well as for direct control of three-phase asynchronous motors and for command control and circuit measurement purposes. The product is widely used as circuit control switches, test equipment switches, motor control switches, master control switches, and change-over switches for electric welding machines.

The product meets the standards GB14048.3, GB14048.5, and EC60947-3, EC60947-5-1.

LW28 series switches have a complete range of specifications, with current ratings of 10A, 20A, 25A, 32A, 63A, 125A, and 160A.

LW28 series switches are characterized by small size, multiple functions, compact structure, exquisite material selection, good insulation, flexible switching operation, safety and reliability, and novel appearance and modeling. Four types of switches, LW28-10, LW28-20, LW28-25, and LW28-32F, also have finger protection functions.

LW28 series switches are widely applicable and are a new and ideal replacement product, which can replace existing domestic LW2, LW5, LW6, LW8, LW12, LW15, HZ5, HZ10, HZ12 and other types of switches as well as transfer switches on imported equipment.

LW28 series switch derivatives include padlock switches and lockable switches (63A and below), which can be used as power cut-off switches for important equipment to prevent misoperation and control the operation of unauthorized personnel.

The 20A to 63A switches in the LW28 series can also be equipped with a protective housing (old 65).

● Normal operating conditions

(1) The ambient air temperature shall not exceed +40 °C, and its average temperature within 24 hours shall not exceed +35 °C;

(2) The lower limit of ambient air temperature shall not exceed -25 °C;

(3) The altitude of the installation site shall not exceed 2000m;

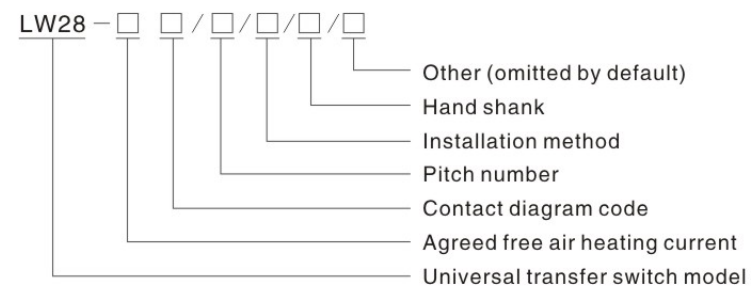
(4) When the maximum temperature is +40 °C, the relative humidity of the air does not exceed 50%, and higher relative humidity can be allowed at lower temperatures 90% at 20 °C. Special measures should be taken for occasional condensation due to temperature changes.

● Installation conditions

(1) The switch is installed under environmental conditions of pollution level 3;

(2) Install according to the instructions provided by the factory.

◆ Model designation and its meaning



For example: with contact diagram code

LW28-20D0401/2/M2/I

LW28 type transfer switch, rated current 20A, D0401 contact, 2 sections, M2 type installation method, I-type handle

For example: without contact diagram code

LW28-63/2/M2/I

LW28 type transfer switch, rated current 63A, default conventional contact, 2 sections, M2 type installation method, I-type handle



LW28-20D0401/2



LW28-25D0401/2



LW28-32F/D0401/2



LW28-20YH3/3M1B/I



LW28-63D0401/2

◆ The combination of operation mode and actuator position is shown in the following table

Operation mode	Feature code	Actuator position			
		0° 30°	0° 45°	0° 60°	0° 90°
Self-replication	A	0° 30°	0° 45°	0° 60°	0° 90°
	B	30° 0° 30°	45° 0° 45°	60° 0° 60°	90° 0° 90°
	X	60° 30° 0° 30° 60°	90° 45° 0° 45° 90°		
	Y	90° 60° 30° 0° 30° 60° 90°			
Positioning type	C	0° 30°	0° 45°	0° 60°	
	D	30° 0° 30°	45° 0° 45°	60° 0° 60°	
	E	30° 0° 30° 60°	45° 0° 45° 90°	60° 0° 60° 120°	
	F	60° 30° 0° 30° 60°	90° 45° 0° 45° 90°	60° 0° 60° 120° 180°	
	G	60° 30° 0° 30° 60° 90°	90° 45° 0° 45° 90° 135°	120° 60° 0° 60° 120° 180°	
	H	90° 60° 30° 0° 30° 60° 90°	135° 90° 45° 0° 45° 90° 135°		
	I	90° 60° 30° 0° 30° 60° 90° 120°	135° 90° 45° 0° 45° 90° 135° 180°		
	J	120° 90° 60° 30° 0° 30° 60° 90° 120°			
	K	120° 90° 60° 30° 0° 30° 60° 90° 120° 150°			
	L	150° 120° 90° 60° 30° 0° 30° 60° 90° 120° 150°			
	M	150° 120° 90° 60° 30° 0° 30° 60° 90° 120° 150° 180°			
	N		45° 45°	30° 30°	
	P				90° 0° 90°
	T				0° 90°
V				90° 0°	
R				270° 0° 90° 180°	
Positioning self-recovery	Q	30° 0° 30°	45° 0° 45°		
	S	30° 0° 60°	90° 0° 45°		
	W		90° 45° 0° 45° 90°		
	Z	120° 90° 0° 30°	135° 90° 0° 45°		

◆ Technical parameter

Model	LW28-10	LW28-20	LW28-25	LW28-32	LW28-63	LW28-125	LW28-160	LW28-315
Rated insulation voltage U _i V	660	660	660	660	660	660	660	660
Agreed heating current I _{th} A	10	20	25	32	63	125	60	160
Rated operating voltage U _e V	240 440	24 110 240 440	24 110 240 440	240 440	240 440	240 440	240 440	240 440
Rated operating current I _e								
AC-21A AC-22A	A 10 10	10 10	25 25	32 32	63 63	100 100	150 150	315 315
AC-23A	A 7.5 7.5	7.5 7.5	22 22	30 30	57 57	90 90	135 135	265 265
AC-2	A 7.5 7.5	7.5 7.5	22 22	30 30	57 57	90 90	135 135	265 265
AC-3	A 5.5 5.5	5.5 5.5	15 15	22 22	36 36	75 75	95 95	110 110
AC-4	A 1.75 1.75	1.75 1.75	6.5 6.5	11 11	15 15	30 30	55 55	95 95
AC-15	A 2.5 1.5	2.5 1.5	8 5	14 6				
DC-13	A	12 0.4 0.4	20 0.5 0.5					
Rated control power P								
AC-23A	KW 1.8 3	1.8 3	5.5/3 11/5.5	7.5/4 15/7.5	15/10 30/18.5	30/15 45/22	37/22 75/37	75/37 132/55
AC-2	KW 2.5 3.7	2.5 3.7	5.5 11	7.5 15	18.5 30	30 45	37 55	55 95
AC-3	KW 1.5 2.5	1.5 2.2	4/3 5.5/3	5.5 11/5.5	11/6 18.5/11	15/7.5 30/13	22/11 37/18.5	37/22 55/30
AC-4	KW 0.37 0.55	0.37 0.55	0.55/0.75 1.5/1.5	2.7/1.5 5.5/3	5.5/2.4 7.5/4	6/3 12/5.5	10/4 15/7.5	15/7.5 25/11

Note 1: Zero line grounding Note

2: The numerator of rated power for AC-23A, AC-3, and AC-4 represents 3-phase 3-pole, the denominator represents 1-phase 2-pole, and AC-2 represents 3-phase 3-pole. Mechanical and electrical life

Mechanical life: 0.1x10⁶ times, operating frequency: 120 times/hour.

Electrical life: 0.03 x 10⁵ times, with an operating frequency of 120 times/hour.

◆ Ordering instructions

The operation diagram (wiring diagram) numbers of LW28 series universal transfer switches and LW5, LW42, LW8, LW12, HZ5, and HZ12 switches are the same. When ordering, users can refer to the ones prepared by our factory the switch operation diagram shall be selected. If there are special requirements, the operation diagram must be explained or provided in advance.

Please indicate the product model and specification, panel specification, handle type, color, and quantity when ordering.

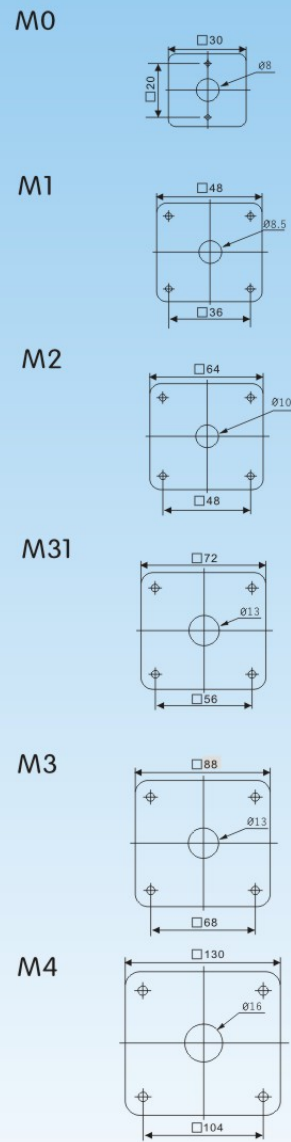
If you need to order a rated current of 20A, a conversion angle of 45° (conventional angle), a feature code of C, an operation diagram number of 5391, an M1 corner square panel, and a black R-shaped handle 20 units change-over switches are available, the order writing example is: LW28-20.4C5391/2M1R (rounded square panel, black R-shaped handle) 120 sets.

Note: Due to the continuous improvement of product technology, all parameters should be subject to the latest data of our factory, and are subject to change without notice.

LW28 Series universal switch

◆ Panel and handle

Panel specifications



Handle type

Type	color	Panel specifications				Type	color	Panel specifications				
		M0	M1	M2	M3			M0	M1	M2	M3	
R	Black	●	●	●		I	Black	●	●	●	●	
	Red				●		Red					●
	White						White					
	grey					grey					●	
R2	Black	●	●			B	Black	●	●			
	Red				●		Red					●
	White						White					
	grey					grey					●	
F	Black	●	●	●		L	Black				●	
	Red						Red					
	White						White					
	grey					grey						
H	Black				●	O	Black				●	
	Red						Red					
	White						White					
	grey					grey						
P	Black		●	●		K	Black		●	●		
	Red						Red					
	White						White					
	grey					grey						

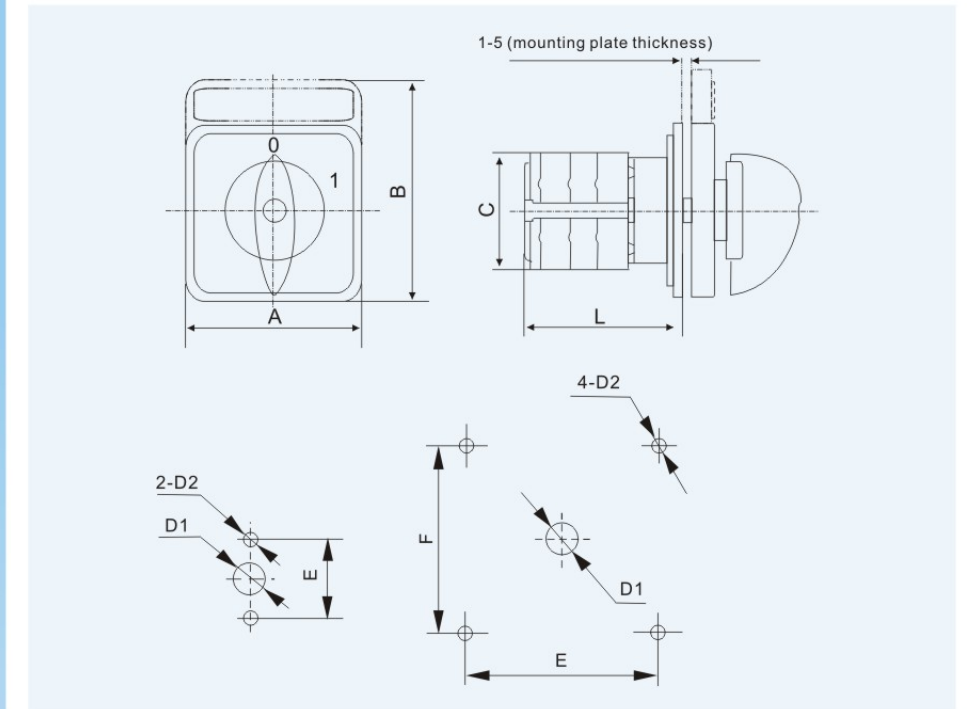
Remarks: ● Is a standard color, ● Is an optional color, the same below

Model	Panel specifications								Handle type								Convert Angle				Maximum						
	M0	M1	M1B	M2	M2B	M31	M3	M4	R	R2	F	I	B	H	L	O	P	K	30°	45°	60°	90°	12	10	8		
LW28-10	●										●	●							●	●	●	●				●	
LW28-20		●	●	●	●		●		●	●	●	●	●	●	●	●	●	●	●	●	●	●	●				
LW28-25		●	●	●	●		●		●	●	●	●	●	●	●	●	●	●	●	●	●	●	●				
LW28-32				●	●	●	●		●	●	●	●	●	●	●	●	●	●	●	●	●	●	●				
LW28-32F				●	●	●	●		●	●	●	●	●	●	●	●	●	●	●	●	●	●	●				●
LW28-63				●	●	●	●		●	●	●	●	●	●	●	●	●	●	●	●	●	●	●				●
LW28-125									●								●	●	●	●	●	●				●	
LW28-160									●								●	●	●	●	●	●				●	
LW28-315								●				●					●	●	●	●	●	●				●	

Note: M1B and M2B panels need to be installed with self-tapping screws.

LW28 Series universal switch

◆ Panel installation



LW28-10D0414/2



LW28-20B0414/2/M2/I



LW28-20/D404/4/D1/I



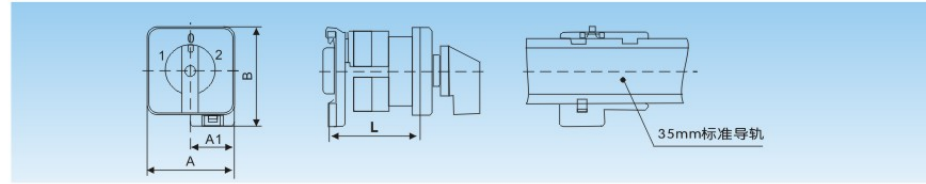
LW28-20D49/4021/3

Type	face-plate specifications	Overall dimensions				Installation dimensions			
		A	B	C	L	E	F	D1	D2
LW28-10	M0 square	30	30	28	22+8n	20		Φ8	Φ3.2
LW28-20	M1 square	48	48	43	22+9.6n	36	36	Φ8.5	Φ4.5
	M1 rectangle	48	60	43	22+9.6n	36	36	Φ8.5	Φ4.5
	M2 square	64	64	43	25+9.6n	48	48	Φ10	Φ4.5
	M2 rectangle	64	80	43	25+9.6n	48	48	Φ10	Φ4.5
LW28-25	M31 square	72	72	43	25+9.6n	55	55	Φ46	Φ4.5
	M1 square	48	48	45.2	23+12.8n	36	36	Φ8.5	Φ6
	M1 rectangle	48	60	45.2	23+12.8n	36	36	Φ8.5	Φ4.5
	M2 square	64	64	45.2	26.5+12.8n	48	48	Φ10	Φ4.5
	M2 rectangle	64	80	45.2	26.5+12.8n	48	48	Φ10	Φ4.5
LW28-32	M31 square	72	72	45.2	26.5+12.8n	55	55	Φ46	Φ4.5
	M2 square	64	64	58	29.2+12.8n	48	48	Φ10	Φ4.5
	M2 rectangle	64	80	58	29.2+12.8n	48	48	Φ10	Φ4.5
	M3 square	88	88	58	29.2+12.8n	68	68	Φ13	Φ4.5
LW28-32F	M1 square	48	48	48	23+14n	36	36	Φ8.5	Φ4.5
	M1 rectangle	48	60	48	23+14n	36	36	Φ8.5	Φ4.5
	M2 square	64	64	48	24.5+14n	48	48	Φ10	Φ4.5
	M2 rectangle	64	80	48	24.5+14n	48	48	Φ10	Φ4.5
LW28-63	M31 square	72	72	48	24.5+14n	55	55	Φ68	Φ4.5
	M2 square	64	64	66	29.2+21.5n	48	48	Φ10	Φ4.5
	M2 rectangle	64	80	66	29.2+21.5n	48	48	Φ10	Φ4.5
	M3 square	88	88	66	29.2+21.5n	55	55	Φ68	Φ4.5
LW28-125	M3 square	88	88	84	35+26.5n	68	68	Φ13	Φ6
LW28-160	M3 square	88	88	88	35+32.5n	68	68	Φ13	Φ6
LW28-315	M4 square	130	130	126	39.5+38.5n	104	104	Φ16	Φ7

Note: n refers to the number of contact system sections, the same below

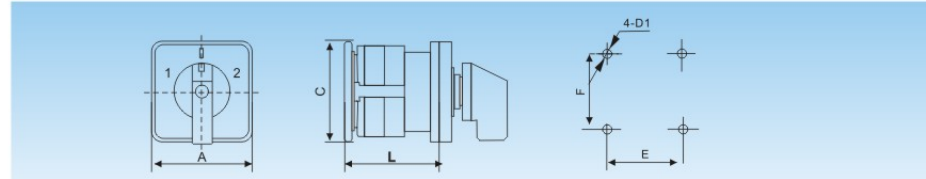
LW28 Series universal switch

Guide rail installation (D2)



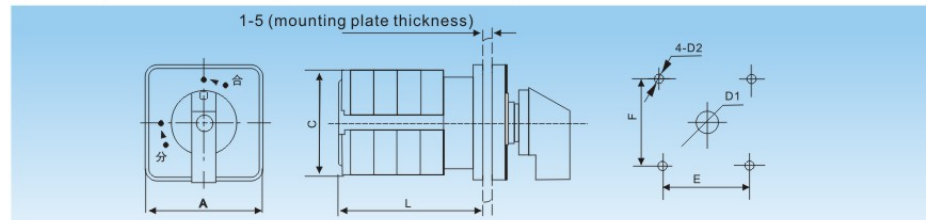
Model	Overall dimensions				Installation dimensions
	A	A1	B	L	
LW28-20	□48	24	54	31+9.6n	35mm standard guide rail
LW28-25	□48	24	54	32+12.8n	35mm standard guide rail
LW28-32F	□48	24	54	32+14n	35mm standard guide rail
LW28-32	□64	35	60	40+12.8n	35mm standard guide rail
LW28-63	□64	35	60	40+21.5n	35mm standard guide rail
LW28-125	□88	35	60	51+26.5n	35mm standard guide rail
LW28-160	□88	35	60	51+32.5n	35mm standard guide rail

Base installation (D1)



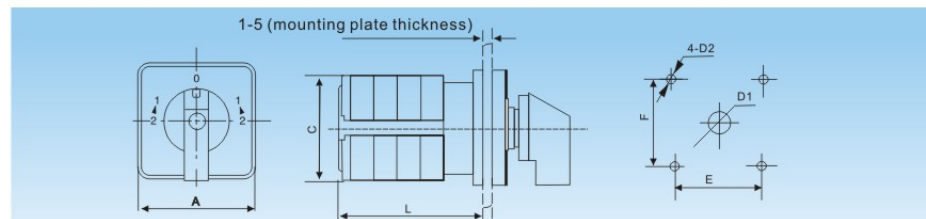
Model	Overall dimensions			Installation dimensions		
	A	C	L	E	F	D1
LW28-20	□48	48	26.5+9.6n	36	36	Φ4.5
LW28-25	□48	48	27.5+12.8n	36	36	Φ4.5
LW28-32	□64	64	33+12.8n	48	48	Φ4.5
LW28-32F	□48	64	27.5+14n	48	48	Φ4.5
LW28-63	□64	64	33+21.5n	48	48	Φ4.5
LW28-125	□88	88	42+26.5n	64	64	Φ6
LW28-160	□88	88	42+32n	64	64	Φ6

Jilun positioning self-recovery



Model	Overall dimensions			Installation dimensions			
	A	C	L	E	F	D1	D2
LW28-20	□48	43	31.5+9.6n	36	36	Φ8.5	Φ4.5
LW28-25	□48	45.2	36+12.8n	36	36	Φ8.5	Φ4.5

Self recovery disk positioning Self recovery



Model	Overall dimensions			Installation dimensions			
	A	C	L	E	F	D1	D2
LW28-20	□48	43	34.5+9.6n	36	36	Φ8.5	Φ4.5
LW28-25	□48	45.2	35.5+12.8n	36	36	Φ8.5	Φ4.5



LW28-20D49/6780/5



LW28-20/8



LW28-20B0414/2/M2K



LW28-20D49/6780/5/M2K

LW28 Series universal switch

Product introduction

The total number of LW28GS series padlock type power disconnect switches is a derivative of LW28 series universal transfer switches. It is mainly used as a power cut-off switch in machine tools that can be locked with a padlock. It can be locked with a padlock in the off position (i.e., "O" or "OFF" position) and on position ("1" or "ON" position) to prevent misoperation and control the operation of unauthorized personnel.

The product conforms to the national standard GB14048.3 and the international standard IEC60947-3.

Classification

(1) The padlock type switch is divided into six current levels according to specifications: 20A, 25A, 32A, 63A, 125A, and 160A. 20A and 25A have M1 and M2 padlock panels, 32A and 63A have M2 and M3 padlock panels, 125A and 160A have M3 padlock panels, M1 padlock panel switches can use 2 padlocks, and M2 and M3 padlock panel switches can use 3 padlocks.

Note: M1, M2, and M3 panels are represented by -1, -2, and -3, respectively.

(2) The padlock type switch is divided into two types according to its purpose: ordinary type and emergency stop type.

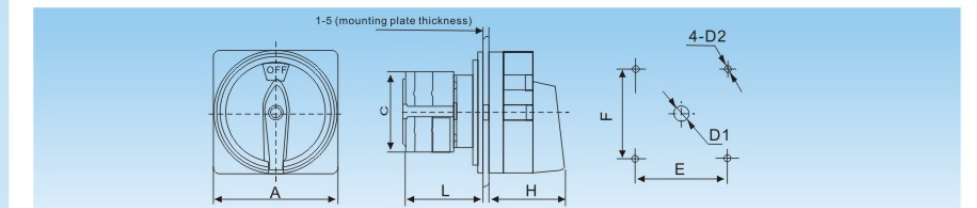
The ordinary type (LW28 -/2/GS03 port) has a black panel and black handle.

The emergency stop type (LW28 -/2/GS04 -) has an emergency stop sign, namely a yellow panel and a red handle.

Technical parameter

Model		LW28-20	LW28-25	LW28-32	LW28-63	LW28-125	LW28-160
Rated operating voltage Ue	V	440	440	440	440	440	440
Agreed heating current Ith	A	20	25	32	63	125	160
Rated operating current Ie							
AC-21A	A	20	25	32	63	100	150
AC-22A	A	20	25	32	63	100	150
AC-23A	A	15	22	30	57	90	135
Rated control power P							
AC-23A	kW	7.5	11	15	30	45	75
Number of operation cycles							
Carrying idler		8500	8500	8500	8500	8500	8500
Loaded		1500	1500	1500	1500	1500	1500
Total		10 000	10 000	10 000	10 000	10 000	10 000

Overall dimensions and installation dimensions



Model	Panel specifications	Overall dimensions				Installation dimensions			
		A	C	L	H	E	F	D1	D2
LW28-20/GS04-1	M1	□48	43	42	33	36	36	Φ8.5	Φ4.5
LW28-20/GS04-2	M2	□64	43	43	42	48	48	Φ10	Φ4.5
LW28-25/GS04-1	M1	□48	45.2	50	33	36	36	Φ8.5	Φ4.5
LW28-25/GS04-2	M2	□64	45.2	51	42	48	48	Φ10	Φ4.5
LW28-32/GS04-2	M2	□64	58	55	42	48	48	Φ10	Φ4.5
LW28-32/GS04-3	M3	□88	58	55	52	68	68	Φ13	Φ6
LW28-63/GS04-2	M2	□64	66	72.5	42	48	48	Φ10	Φ4.5
LW28-63/GS04-3	M3	□88	66	72.5	52	68	68	Φ13	Φ6
LW28-125/GS04-3	M3	□88	84	88	52	68	68	Φ13	Φ6
LW28-160/GS04-3	M3	□88	88	100	52	68	68	Φ13	Φ6



LW28-20/2/GSC4



LW28-20/2/GS04-1



LW28-20/2/GS04-2



LW28-20/2/GSB



LW28-63/2/GS04-2



LW28-125/2/GS04-3



LW28-160/2/GS04-3

LW28 Series universal switch

◆ Product introduction

LW28 series of lockable power disconnect switches is a derivative of LW28 series of universal change-over switches. The lockable power disconnect switch is mainly used as a power disconnect switch in machine tools that requires a lock on its own. It can lock itself in the OFF position ("." position) to prevent illegal operation.

The product meets the standards GB14048.3 and IEC60947-3.

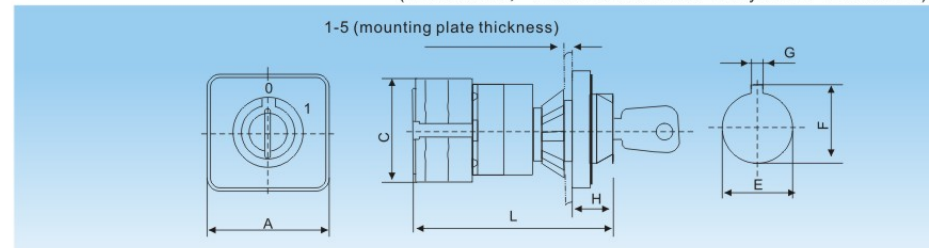
◆ Technical parameter

Model		LW28-10	LW28-20	LW28-25	LW28-32	LW28-63
Rated operating voltage U_e	V	440	440	440	440	440
Agreed heating current I_{th}	A	10	20	25	32	63
Rated operating current I_e						
AC-21A	A	10	20	25	32	63
AC-22A	A	10	20	25	32	63
AC-23A	A	7	15	22	30	57
Rated control power P						
AC-23A	kW	3	7.5	11	15	30

◆ Overall dimensions and installation dimensions

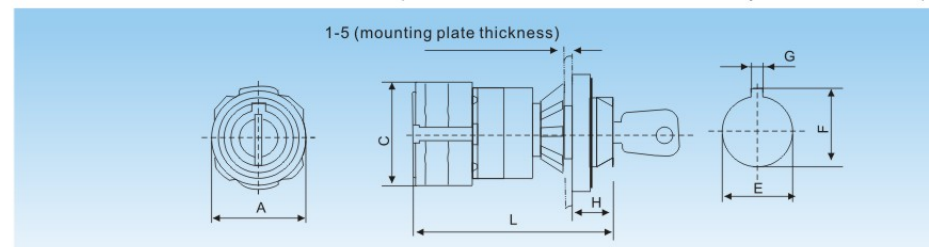
Single hole with lock strap panel LW28-☆/◇/OMS

(☆ is current; ◇ Code and number of layers for the contact)



Single hole with lock LW28-☆/◇/OS

(☆ is current; ◇ Code and number of layers for the contact)



Model	Overall dimensions						Installation dimensions		
	A(OMS)	A(OS)	C	H	L(OMS)	L(OS)	E	F	G
LW28-10	□30	Φ29	28	8.5	60	60	Φ16.2	18	1.9
LW28-20	□48	Φ39	43	15.6	98	76.5	Φ22.3	24.1	3.2
LW28-20	□62	Φ39	43	15.6	98	76.5	Φ22.3	24.1	3.2
LW28-20	□62	Φ39	43	15.6	98	76.5	Φ30.5	33	4.8
LW28-25	□48	Φ39	45.2	15.6	104.5	83	Φ22.3	24.1	3.2
LW28-25	□62	Φ39	45.2	15.6	104.5	83	Φ22.3	24.1	3.2
LW28-25	□62	Φ39	45.2	15.6	104.5	83	Φ30.5	33	4.8
LW28-32F	□48	Φ39	48	15.6	108	86.5	Φ22.3	24.1	3.2
LW28-32F	□62	Φ39	48	15.6	108	86.5	Φ22.3	24.1	3.2
LW28-32F	□62	Φ39	48	15.6	108	86.5	Φ30.5	33	4.8



LW28-10D0401/2/OMS



LW28-20D0401/2/OMS



LW28-20C06/3/O/GSD



LW28-32FD0401/2/O/O1



LW28-20D0401/2/O/B



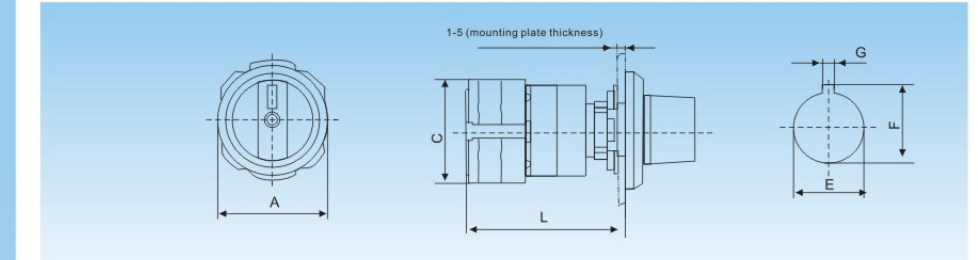
LW28-20D0401/2/OS
(Common with lock)

LW28 Series universal switch

◆ Special models and accessories

Single hole installation LW28-☆/◇/O□

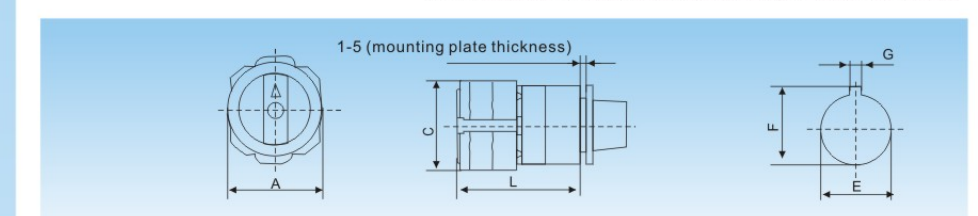
(☆ is the current; ◇ is the contact code and layer number; □ Handle)



Model	Overall dimensions			Installation dimensions			Handle type		
	A	C	L	E	F	G	I	B	F
LW28-10	Φ29	28	35+8n	Φ16.2	18	1.9	●	●	●
LW28-20	Φ39	43	42+9.6n	Φ22.3	24.1	3.2	●	●	●
LW28-20	Φ39	43	42+9.6n	Φ30.5	33	4.8	●	●	●
LW28-25	Φ39	45.2	42+12.8n	Φ22.3	24.1	3.2	●	●	●
LW28-25	Φ39	45.2	42+12.8n	Φ30.5	33	4.8	●	●	●
LW28-32F	Φ39	48	42+14n	Φ22.3	24.1	3.2	●	●	●
LW28-32F	Φ39	48	42+14n	Φ30.5	33	4.8	●	●	●

Single hole installation LW28-☆/◇/O1□

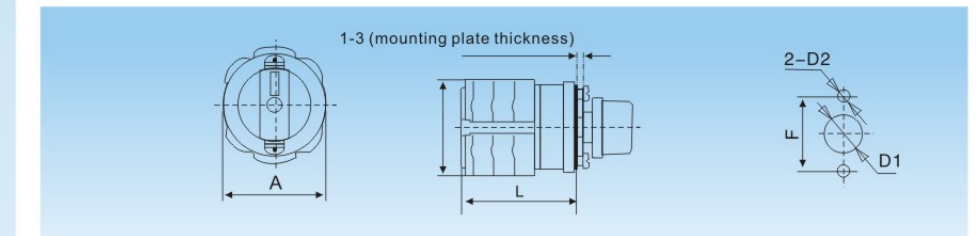
(☆ is the current; ◇ is the contact code and layer number; □ Handle)



Model	Overall dimensions			Installation dimensions		
	A	C	L	E	F	G
LW28-20	Φ39	43	35+9.6n	Φ30.5	33	4.8
LW28-25	Φ39	45.2	35+12.8n	Φ30.5	33	4.8
LW28-32F	Φ39	48	35+14n	Φ30.5	33	4.8
LW28-32F	Φ39	48	35+14n	Φ30.5	33	4.8

Double hole installation LW28-☆/◇/G□

(☆ is the current; ◇ is the contact code and layer number; □ Handle)



Model	Overall dimensions			Installation dimensions		
	A	C	L	F	D1	D2
LW28-20	Φ39	43	24+9.6n	30	Φ15	Φ5
LW28-25	Φ39	45.2	25+12.8n	30	Φ15	Φ5
LW28-32F	Φ39	48	25+14n	30	Φ15	Φ5
LW28-32F	Φ39	48	32+14n	30	Φ15	Φ5



LW28-20D0723/3/O1B



LW28-32FD0401/2/O/O1



LW28-20D0401/2/O/B



LW28-20/6/OB



LW28-20D0401/2/G/B

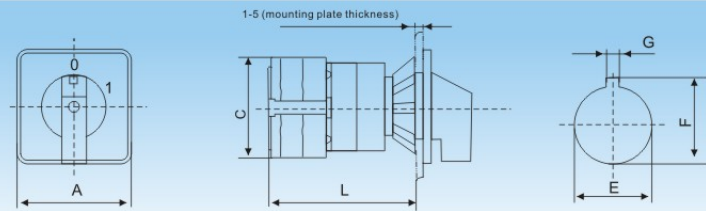
www.zjsihe.com

LW28 Series universal switch

◆Special models and accessories

Single hole with panel installation LW28-☆/◇/OM□

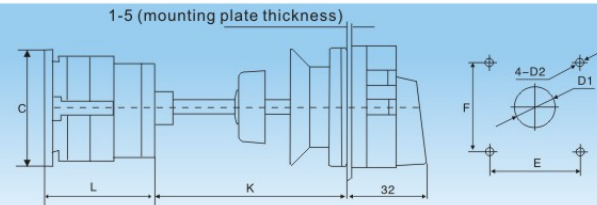
(☆ is the current; ◇ is the contact code and layer number; □ Handle)



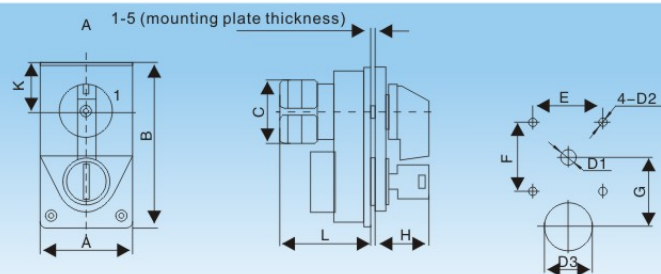
Model	Overall dimensions				Installation dimensions			Handle type		
	A	C	L	E	F	G	I	B	F	
LW28-10	M0方形 □30	28	35+8n	Φ16.2	18	1.9	●	●	●	
LW28-20	M1方形 □48	43	42+9.6n	Φ22.3	24.1	3.2	●	●	●	
LW28-20	M1方形 □48	43	42+9.6n	Φ30.5	33	4.8	●	●	●	
LW28-25	M1方形 □48	45.2	42+12.8n	Φ22.3	24.1	3.2	●	●	●	
LW28-25	M1方形 □48	45.2	42+12.8n	Φ30.5	33	4.8	●	●	●	
LW28-32F	M1方形 □48	48	42+14n	Φ22.3	24.1	3.2	●	●	●	
LW28-32F	M1方形 □48	48	42+14n	Φ30.5	33	4.8	●	●	●	

Installation of door interlock guide rail LW28-☆/◇/D1(Δ) (50/100/150/200)

(☆ is the current; ◇ is the contact code and number of layers; Δ is the length of the pole)



Model	Overall dimensions			Installation dimensions			
	C	L	K	E	F	D1	D2
LW28-20	48	27+9.6n	150	36	36	Φ22	Φ4.5
LW28-25	48	28+12.8n	150	36	36	Φ22	Φ4.5
LW28-32	65	37.5+12.8n	150	48	48	Φ22	Φ4.5
LW28-63	65	37.5+21.5n	150	48	48	Φ22	Φ4.5
LW28-125	88	101+26.5n	150	68	68	Φ22	Φ6
LW28-160	88	113+32.5n	150	68	68	Φ22	Φ6



Model	Overall dimensions					Installation dimensions						
	A	B	K	C	L	H	E	F	G	D1	D2	D3
LW28-20	48	84	24	43	31.5+9.6n	34	36	36	48	Φ10	Φ4.5	Φ34
LW28-20	64	112	32	42	40.5+14n	34	48	48	48	Φ10	Φ4.5	Φ34
LW28-25	48	84	24	45.2	32.5+12.8n	34	36	36	48	Φ10	Φ4.5	Φ34
LW28-25	64	112	32	45.2	32.5+12.8n	34	48	48	48	Φ10	Φ4.5	Φ34
LW28-32F	48	84	24	48	32.5+14n	34	36	36	48	Φ10	Φ4.5	Φ34
LW28-32F	64	112	32	48	33.5+14n	34	48	48	48	Φ10	Φ4.5	Φ34
LW28-32	64	112	32	58	38.7+12.8n	34	48	48	48	Φ10	Φ4.5	Φ34
LW28-63	64	112	32	66	39.5+21.5n	34	48	48	48	Φ10	Φ4.5	Φ34



LW28-20D0401/2/OM21



LW28-20D0401/2/OM1



LW28-32FD0401/2/OM1



LW28-63/9C04/2/D1(150)



LW28-63/2/GS04-2/LY
(Note: Custom model)



LW28-20D0414/2/YMS



LW28-32D0414/2/YMS

www.zjsihe.com

LW28 Series universal switch



LW28-32D0723/3



LW28-32D1050/4



LW28-125D0723/3



LW28-20D0401/2/D2



LW28-20/3A(Red handle yellow square plate)



LW28-20/3A/M2B(Red handle yellow square plate)



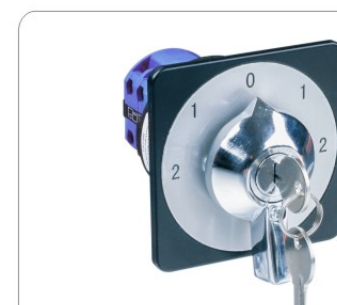
LW28-20D0723/3S



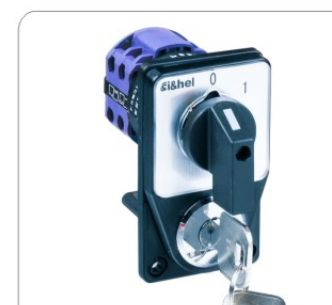
LW28-20/3V(Red handle yellow square plate)



LW28-20/3V/M2B(Red handle yellow square plate)



Handle zinc alloy
LW28-20E11011/2YS



LW28-20D0414/2/YMS



LW28-32D0414/2/YMS

LW28 Series universal switch



LW28-20/3A(Rectangular plate)



LW28-20/3A



LW28-20/3A/M2B



LW28-20/3V(Rectangular plate)



LW28-20/3V



LW28-20/3V/M2B



LW28-20D0401/2/OMI



(Ordinary with light and lock)
LW28-20D0401/2SL



LW28-20D0401/2/MB



LW28-20D0401/2/OMS



LW28-20C04/2/GSB3



LW28-20C04/2/GSB4

SH30 Series load isolating switch

Rated working voltage: below 440V

Rated current: 20A, 25A, 32A, 40A, 63A, 80A, 100A

Rated frequency: AC50Hz



www.zjsihe.com

SH30 Series load isolating switch

www.zjsihe.com

SH30 Series load isolating switch



SH30-32/3/M21



SH30-32/3/GFB



SH30-32/3/GS04-2



SH30-32/4/GS04-2



SH30-63/3/GS04-2



SH30-63/4/GS04-2



SH30-100/4/GS04-2

◆ Product introduction

SH30 series universal transfer switches are mainly used in electrical circuits with AC 50Hz, rated working voltage below 440V, and rated current up to 100A. They are used as main switches for ventilation equipment, air conditioning, and water pump systems, and can also directly control small capacity AC motors.

The product meets the standards CB14048.3 and IEC60947-3.

SH30 series switches have a complete range of specifications, with current levels of 20A, 25A, 32A, 40A, 63A, 80A, and 100A. SH30 series switches have small size, compact structure, exquisite material selection, good insulation, finger protection function, and are safe and reliable. You can add other contact blocks to a 3-pole standard block without having to remove this switch.

The insulation distance of SH30 series switches is greater than that of other switches of the same type, with fast disconnection speed, and is suitable for DC switches.

● Normal operating conditions

(1) The ambient air temperature shall not exceed +40 °C, and its average temperature within 24 hours shall not exceed +35 °C;

(2) The lower limit of ambient air humidity shall not exceed - 25 °C;

(3) The altitude of the installation site shall not exceed 2000m;

(4) When the maximum humidity is +40 °C, the relative humidity of the air does not exceed 50%, and higher phases can be allowed at lower temperatures. For humidity, such as 90% at 20 °C. Special measures should be taken for occasional condensation due to temperature changes.

● Installation conditions

(1) The switch is installed under environmental conditions of pollution level 3;

(2) Install according to the instructions provided by the factory.

Classification

1. Classification by use category

(1) AC-23A

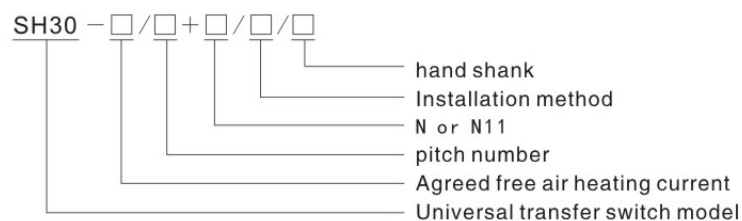
(2) AC-3

2. Classification according to the protection level provided

(1) Without switch box IP2LO

(2) With thermoplastic sealing switch box IP65

◆ Model designation and its meaning



◆ Technical parameter

Model	SH30-25(20)	SH30-32	SH30-40	SH30-63	SH30-80	SH30-100	
Agreed heating current I _{th}	25(20)	32	40	63	80	100	125
Rated operating voltage U _e	240 440	240 440	240 440	240 440	240 440	240 440	240 440
Rating I _e /kw							
AC-21A	20/- 20/-	32/- 32/-	40/- 40/-	63/- 63/-	80/- 80/-	100/- 100/-	125/- 125/-
AC-22A	20/- 20/-	32/- 32/-	40/- 40/-	63/- 63/-	80/- 80/-	100/- 100/-	125/- 125/-
AC-23A	15/4 15/7.5	22/5.5 22/11	30/7.5 30/15	43/11 43/22	57/18.5 57/30	70/22 70/37	90/30 90/45
AC-3	11.7/3 11.7/5.5	15/4 15/7.5	22/7.5 22/11	36/11 36/18.5	43/15 43/22	57/18.5 57/30	70/22 70/37

Current type: AC 50Hz

Number of main contact positions: ON or OFF

Rated duty system: 8-hour duty system/intermittent cycle duty system, with an operating frequency of 30 times/h.

Electrical life: 10000 times at AC-23, 6000 times at AC-3, and 2000 times for auxiliary contacts.



SH30-32/3/D2(150)



SH30-63/4/D2(150)



SH30-32/3/OM2S



SH30-32/3/OMI

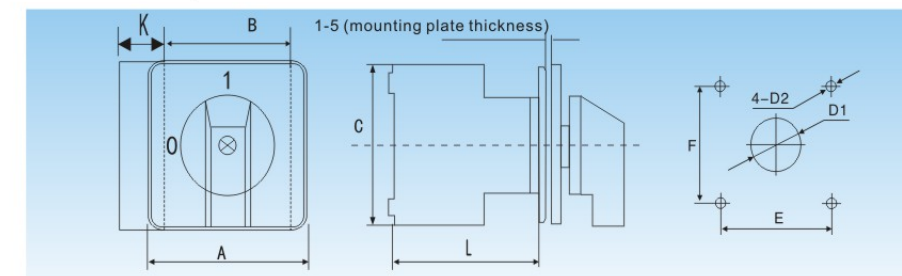


SH30-32/4/OMI/GSD



SH30-32/4/OM2I

SH30 series panel installation

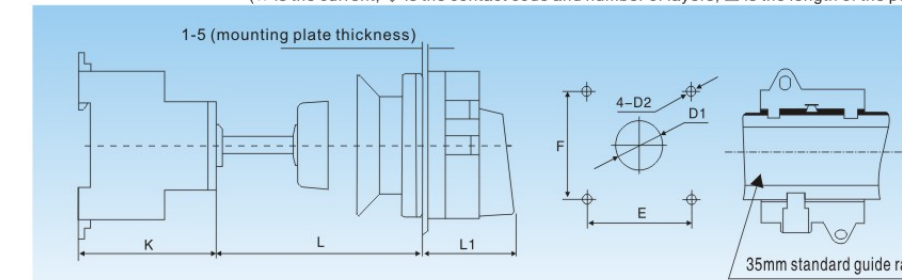


Model	Overall dimensions					Installation dimensions			
	A	B	C	K	L	E	F	D1	D2
SH30-25 / 32	□ 64	43	54	13.5	61	48	48	φ 10	4.5
SH30-40 / 63	□ 64	50	64	16	67	48	48	φ 10	4.5
SH30-80 / 100	□ 64	70	80	22	82	48	48	φ 10	4.5

Installation of SH30 series door interlock guide rail

SH30-☆/◇/D2(△) (50/100/150/200)

(☆ is the current; ◇ is the contact code and number of layers; △ is the length of the pole)

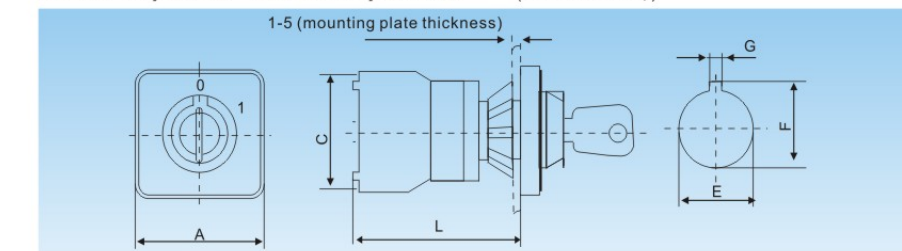


Model	Overall dimensions			Installation dimensions			
	K	L1	L	E	F	D1	D2
SH30-20	50	32	150	48	48	φ22	φ4.5
SH30-25	50	32	150	48	48	φ22	φ4.5
SH30-32	50	32	150	48	48	φ22	φ4.5
SH30-40	61	32	150	48	48	φ22	φ4.5
SH30-63	61	32	150	48	48	φ22	φ4.5
SH30-80	68	32	150	48	48	φ22	φ4.5
SH30-100	68	32	150	48	48	φ22	φ4.5

Note: The base can be installed on a 35mm standard guide rail.

SH30 Series single hole installation

SH30-☆/OMS SH30-☆/OM1S (☆ is the current;)



Model	Overall dimensions			Installation dimensions		
	A	C	L	E	F	G
SH30-20/25	□ 49	54	73	φ 22.5	24.1	3.2
SH30-32	□ 49	54	73	φ 22.5	24.1	3.2
SH30-20/25	□ 62	54	73	φ 22.5	24.1	3.2
SH30-32	□ 62	54	73	φ 22.5	24.1	3.2

SH30 Series load isolating switch



SH30-32/3/GS03-2



SH30-63/3/GS03-2



SH30-32/3/GSB3



SH30-63/3/GSB3



SH30-32/3/GFB



SH30A-25/4/GSB4



SH30-32/3/GSB4



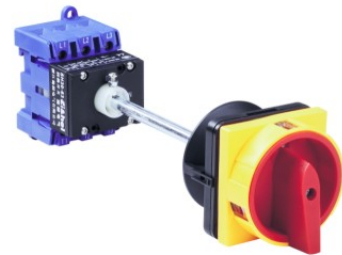
SH30-63/3/GSB4



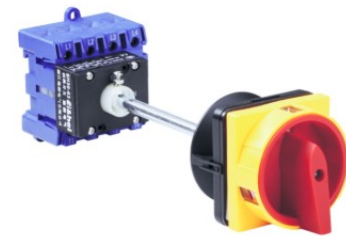
SH30-32/3/D2(150)



SH30-32/4/D2(150)

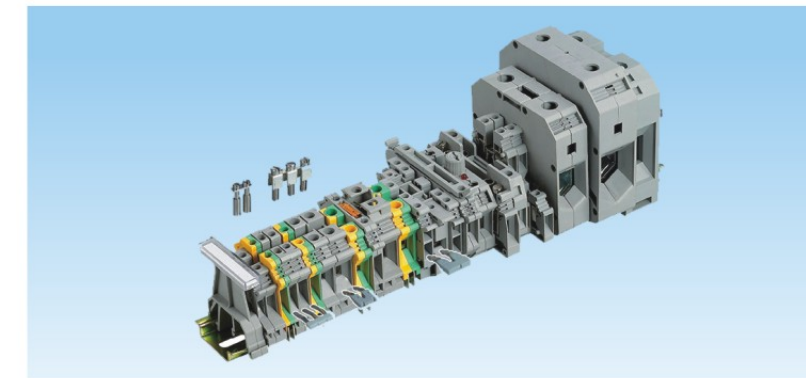


SH30-63/3/D2(150)



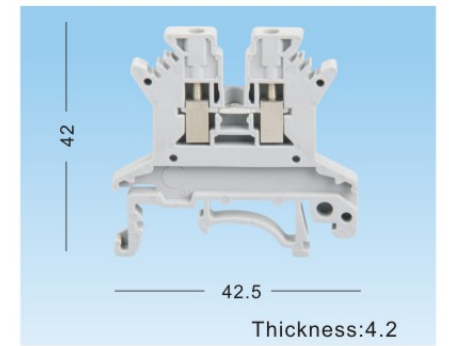
SH30-63/4/D2(150)

UK Series terminal blocks



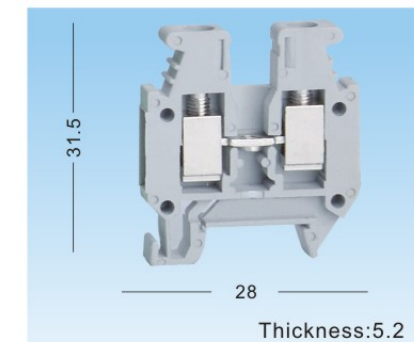
Instruction

- 1、End cover thickness: 1.5mm² grey
- 2、10 center connection-strips can be divided into 2 position 3 position
- 3、Isoiator bridge bar; 10-position, divisible need cushion block
- 4、Switch bar for 2 terminal blocks complete, and end cover between two terminals.
- 5、Separating plate: be used for electrical separation of cover between two terminals.
- 6、Partition plate: thick 1.5mm
- 7、Univfersal end fixed piece



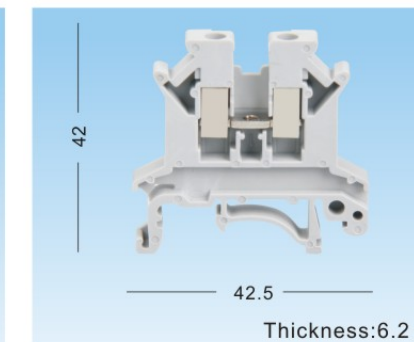
UK1.5N

M2	"...4"	7mm
solid wire (mm ²) 0.14-1.5		stranded wire 0.14-1.5
IEC 60947-7-1		
current: 17.5A		voltage: 500V
D-UK 1.5N		(D-UK 1.5N)
FB1 10-4		(FB1 10-4)
ISSBI 10-4 IS-K4		(ISSBI 10-4) (IS K4)
USBR		(USBR2-7)
TS-K		(TS-K)
ATP-UK		(ATP-UK)
E/UK		(E/UK)



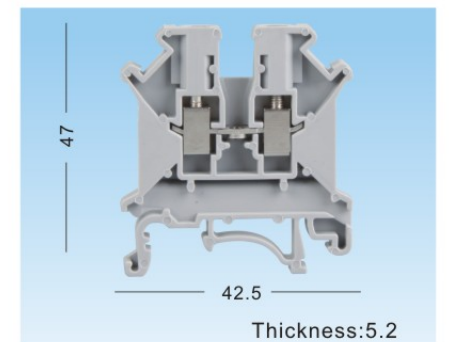
MBK3/E-Z

M3	"...5"	8mm
solid wire (mm ²) 0.2-4		stranded wire 0.2-2.5
IEC 60947-7-1		
current: 32A		voltage: 500V
D-MBK3/5		(D-MBK3/5)
center short connection piece		FB1 10-5N(Fb1 10-5N)
isolator short connection piece		
end fixed piece		E/MBK1(E/MBK1)
partition plate		ATP-MBK(ATP-MBK)



UK2.5B

M3	"...6"	8mm
solid wire (mm ²) 0.2-4		stranded wire 0.2-2.5
IEC 60947-7-1		
current: 32A		voltage: 800V
D-UK 2.5N		(D-UK 2.5N)
FBI 10-6		(Fb1 10-6)
ISSBI 10-6 IS-K4		(ISSBI 10-6) (IS-K4)
USBR		(USBR2-7)
TS-KK3		(TS-KK3)
ATP-UK		(ATP-UK)
E/UK		(E/UK)

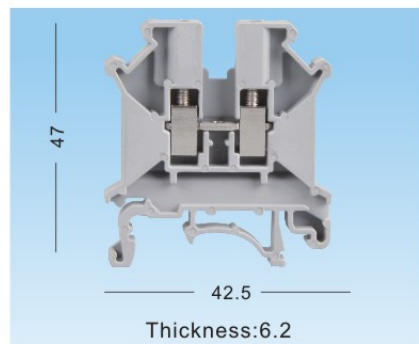


UK3N

M3	"...5"	8mm
solid wire (mm ²) 0.2-4		stranded wire 0.2-2.5
IEC 60947-7-1		
current: 32A		voltage: 800V
D-UK 4/10		(D-UK 4/10)
Fb1 10-5		(Fb1 10-5)
TS-K		(TS-K)
ATP-UK		(ATP-UK)
E/UK		(E/UK)

www.zjsihe.com

UK Series terminal blocks



UK5N



Solid wire(mm²) 0.2-6
Stranded wire 0.2-4

IEC 60947-7-1

Current: 41A Voltage: 800V

D-UK 4/10 (D-UK 4/10)

Fb1 10-6 (Fb1 10-6)

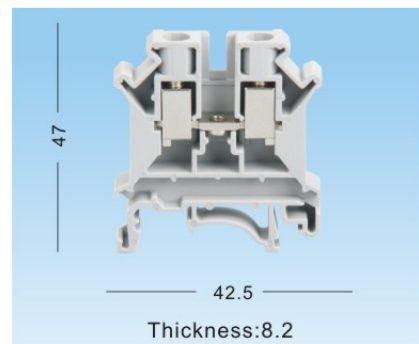
ISSBI 10-6 IS-K4 (ISSBI 10-6) (IS-K4)

USBR2-7 (USBR2-7)

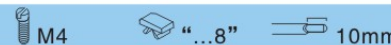
TS-K (TS-K)

ATP-UK (ATP-UK)

E/UK (E/UK)



UK6N



Solid wire (mm²) 0.2-10
Stranded wire 0.2-6

IEC 60947-7-1

Current: 57A Voltage: 800V

D-UK 4/10 (D-UK 4/10)

Fb1 10-8 (Fb1 10-8)

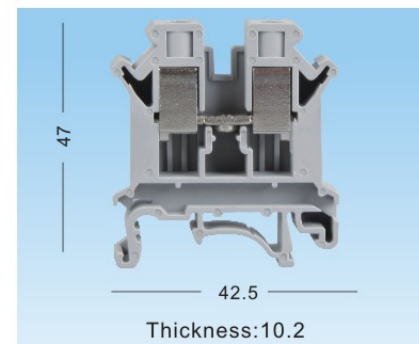
ISSBI 10-8 IS-K10 (ISSBI 10-8) (IS-K10)

UR2-8/13N (UR2-8/13N)

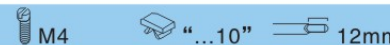
TS-K (TS-K)

ATP-UK (ATP-UK)

E/UK (E/UK)



UK10N



Solid wire(mm²) 0.5-16
Stranded wire 0.5-10

IEC 60947-7-1

Current: 76A Voltage: 800V

D-UK 4/10N (D-UK 4/10)

Fb1 10-10 (Fb1 10-10)

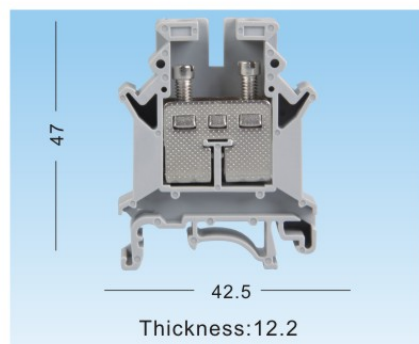
ISSBI 10-10 IS-K10 (ISSBI 10-10) (IS-K10)

USBR (UR2-8/13N)

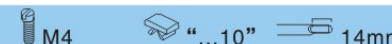
TS-K (TS-K)

ATP-UK (ATP-UK)

E/UK (E/UK)



UK-16N



Solid wire (mm²) 2.5-25
Stranded wire 4-16

IEC 60947-7-1

Current: 101A Voltage: 800V

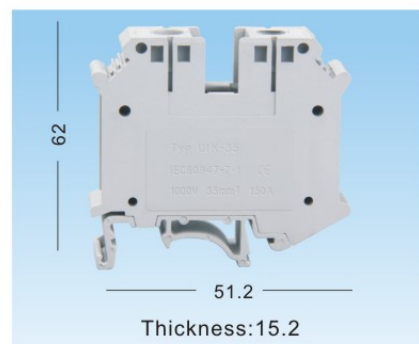
D-UK16 (D-UK 16)

Fb1 10-12 (Fb1 10-12)

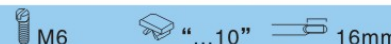
TS-K (TS-K)

ATP-UK (ATP-UK)

E/UK (E/UK)



UK-35N



Solid wire (mm²) 10-35
Stranded wire 10-35

IEC 60947-7-1

Current: 125A Voltage: 800V

Fb1 12-15 (Fb1 12-15)
FB1 13-15 (FB1 13-15)

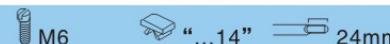
TS-K (TS-K)

Block shell, no end cover (ATP-UK)

E/UK (E/UK)



UKH50N



Solid wire (mm²) 16-50
Stranded wire 25-50

IEC 60947-7-1

Current: 150A Voltage: 800V

Fb1 2-20 (Fb1 2-20)
FB1 3-20 (FB1 3-20)

(1) Edge plug type short connector, fully insulated, insert the terminal clamp body and embed it in terminal housing 2-position 3-digit terminal

Fixed component: E/AL-NS 35

Terminal fixing components

(2) Terminal fixing components: Used for UK50 and 95, as well as 150 and 240 models

www.zjsihe.com

UK Series terminal blocks



UKH95



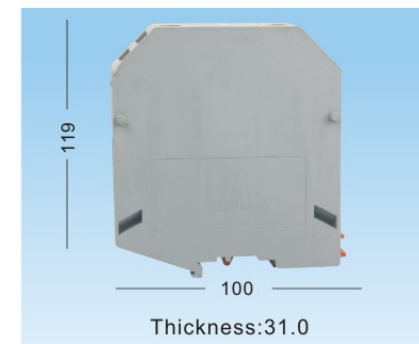
Solid wire(mm²) 25-95
Stranded wire 35-95

IEC 60947-7-1

Current: 232A Voltage: 1000V

EB2-25 (EB2-25)
EB3-25 (EB3-25)

E/AL-NS 32 (E/AL-NS 32)
E/AL-NS 35 (E/AL-NS 35)



UKH150



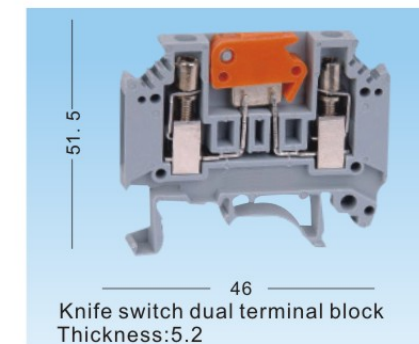
Solid wire(mm²) 35-150
Stranded wire 50-150

IEC 60947-7-1

Current: 309A Voltage: 1000V

EB2-31 (EB2-31)
EB3-31 (EB3-31)

E/AL-NS 32 (E/AL-NS 32)
E/AL-NS 35 (E/AL-NS 35)



MTK-P/P



Solid wire(mm²) 0.2-4
Stranded wire 0.2-2.5

IEC 60947-7-1

Current: 16A Voltage: 400V

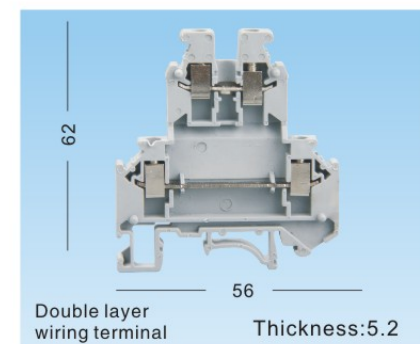
Description: Knife switch disconnect terminal with test socket screws on both sides.

Terminal board D-MTK (D-MTK) (D-MTK)

2 position 3 position 10 position Side plug-in short connector

EBL2-5' (EBL2-5')
EBL3-5' (EBL3-5')
EBL10-5' (EBL10-5')

Separate panels ATS-MTK (ATS-MTK)



UKK3



Solid wire (mm²) 0.2-4
Stranded wire 0.2-2.5

IEC 60947-7-1

Current: 32A Voltage: 500V

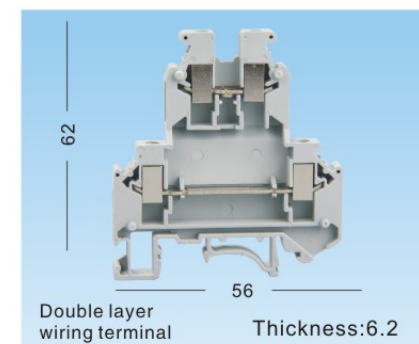
End plate D-UKK3/5 (D-UKK3/5)

Space supplement Compensation end board DG-UKK3/5 (DG-UKK3/5)

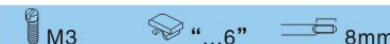
Space supplement Compensation board DP-UKK3/5 (DP-UKK3/5)

Central type Short circuit components Fb1 10-5 (Fb1 10-5)

Insulation block Short circuit components ISSBI10-5 (ISSBI10-5)



UKK5



Solid wire (mm²) 0.2-4
Stranded wire 0.2-4

IEC 60947-7-1

Current: 32A Voltage: 500V

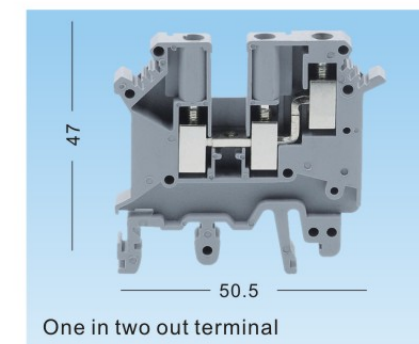
End plate D-UKK3/5 (D-UKK3/5)

Space supplement Compensation end board DG-UKK3/5 (DG-UKK3/5)

Space supplement Compensation board DP-UKK3/5 (DP-UKK3/5)

Central type Short circuit components Fb1 10-6 (Fb1 10-6)

Insulation block Short circuit components ISSBI10-6 (ISSBI10-6)



UK5-TWIN



Solid wire (mm²) 0.2-4
Stranded wire 0.2-4

IEC 60947-7-1

Current: 32A Voltage: 500V

End plate D-UKK3/5 (D-UK5-TWIN) (D-UK5-TWIN)

Spacer TS-K (DG-UK5-TWIN)

Fb1 10-6 (Fb1 10-6)

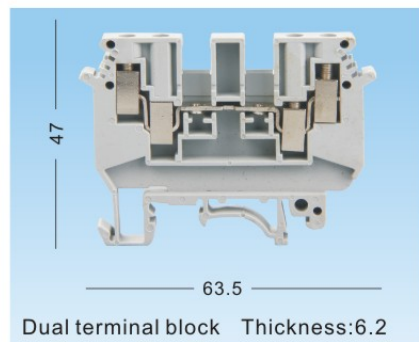
Insulation block Short circuit components ISSBI10-6 (ISSBI10-6)

www.zjsihe.com

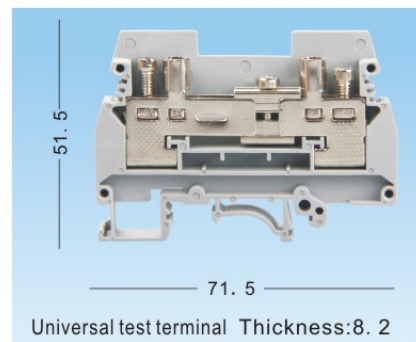
UK Series terminal blocks

www.zjsihe.com

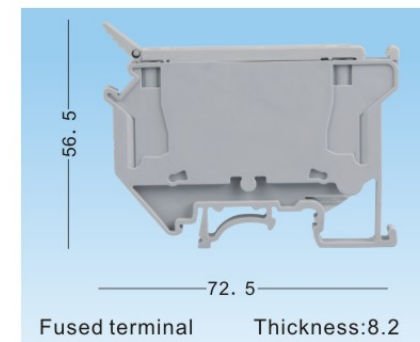
UK Series terminal blocks



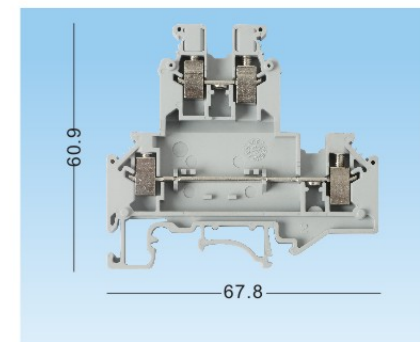
Dual terminal block Thickness:6.2



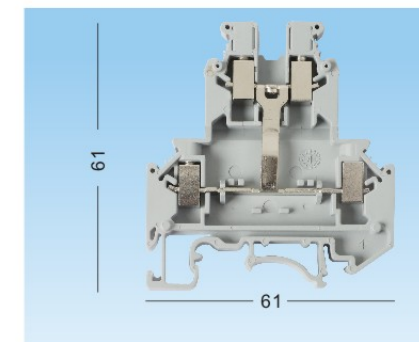
Universal test terminal Thickness:8.2



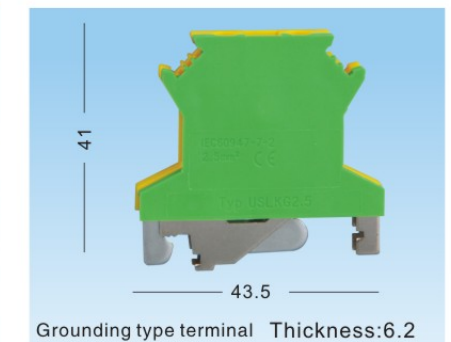
Fused terminal Thickness:8.2



UKKB5



UKK5-PV



Grounding type terminal Thickness:6.2

UDK4

M3 "..." 8mm

Solid wire (mm ²)	Stranded wire
0.2-4	0.2-2.5

IEC 60947-7-1

Current: 32A Voltage: 690V

End plate D-UDK4 D-UDK4 (D-UDK4)

Central short-circuit connector FB110-6 (FB110-6)

Insulation block short connector ISSBI 10-6 (ISSBI 10-6)

Short circuit insulation block IS-K4 (IS-K4)

Can be connected between two terminals Switch short-circuit component USBR2-7 (USBR2-7)

Spacer TS-KK3 (TS-KK3)

URTK/S

M4 "..." 10mm

Solid wire (mm ²)	Stranded wire
0.5-10	0.5-6

IEC 60947-7-1

Current: 57A Voltage: 400V

Explanation: The knife switch test terminal and the test socket screw have both sides

End plate D-URTK/S (D-URTK/S)

Central type Short circuit components FB10-URTK/S (FB10-URTK/S)

Separate panels ATS-RTK (ATS-RTK)

Switch inward Short circuit components USB2-URTK/S (USB2-URTK/S)

Switch outward Short circuit components ASB2-URTK/S (ASB2-URTK/S)

UK5-HESI

M3 "..." 8mm

Solid wire (mm ²)	Stranded wire
0.2-4	0.2-4

IEC 60947-7-1

Current: 6.3A Voltage: 800V

UK 5-HESI LED24

UK 5-HESI LA250

2位 3位 10位 Insertion short EBS3-8² connection piece EBS10-8²

Technical data	IEC	UL
Rated current	32	30
Rated voltage	500	600
Rated cross-section	4	AWG26-10
Rated impulse withstand voltage/pollution severity	8/3/III/I	8/3/III/I
Insulating material/UL94 flammability rating of insulation material	PA66/VO	PA66/VO
Marker card	ZB6	
Jumper	FBI10-6 EB3-6	EB2-6 EB10-5
End stop	E/UK	

Technical data	IEC	UL
Rated current	32	30
Rated voltage	500	600
Rated cross-section	4	AWG26-10
Rated impulse withstand voltage/pollution severity	8/3/III/I	8/3/III/I
Insulating material/UL94 flammability rating of insulation material	PA66/VO	PA66/VO
Marker card	ZB6	
Jumper	FBI10-6 EB3-6	EB2-6 EB10-5
End stop	E/UK	

USLKG2.5

M3 "..." 7mm

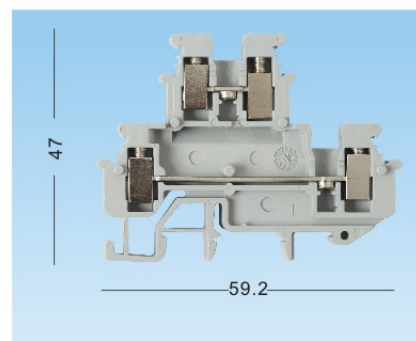
Solid wire (mm ²)	Stranded wire
0.2-4	0.2-2.5

IEC 60947-7-2

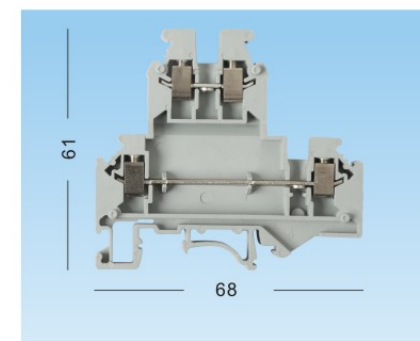
Current: 34A



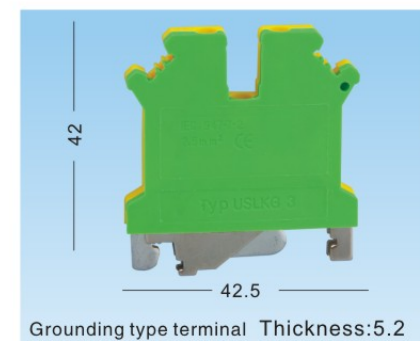
Thickness:12



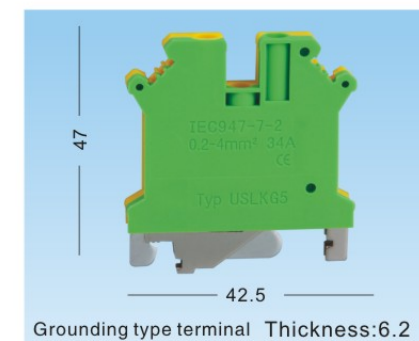
UKK2.5



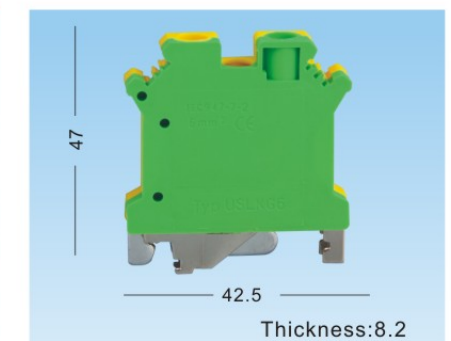
UKKB3



Grounding type terminal Thickness:5.2



Grounding type terminal Thickness:6.2



Thickness:8.2

UK10-DREHSI

M4 "..." 11mm

Solid wire (mm ²)	Stranded wire
0.5-16	0.5-16

IEC 60947-7-1

Current: 10A Voltage: 800V

UK5-DREHSI(5X20/5X25/6.3X32)

UK10-DREHSI LED24(5X20/6.3X32)

UK10-DREHSI LA50(5X20/6.3X32)

center short connection piece FB110-12

Technical data	IEC	UL
Rated current	24	20
Rated voltage	500	300
Rated cross-section	2.5	AWG30-12
Rated impulse withstand voltage/pollution severity	8/3/III/I	8/3/III/I
Insulating material/UL94 flammability rating of insulation material	PA66/VO	PA66/VO
Marker card	ZB5	
Jumper	FBI10-UKK2.5 EB3-5	EB2-5 EB10-5
End stop	E/UK	

Technical data	IEC	UL
Rated current	32	20
Rated voltage	500	600
Rated cross-section	2.5	AWG28-12
Rated impulse withstand voltage/pollution severity	8/3/III/I	8/3/III/I
Insulating material/UL94 flammability rating of insulation material	PA66/VO	PA66/VO
Marker card	ZB5	
Jumper	FBI10-UKK2.5 EB3-5	EB2-5 EB10-5
End stop	E/UK	

USLKG3

M3 "..." 7mm

Solid wire (mm ²)	Stranded wire
0.2-4	0.2-2.5

IEC 60947-7-2

Current: 34A Voltage: 800V

USLKG5

M3 "..." 9mm

Solid wire (mm ²)	Stranded wire
0.2-4	0.2-4

IEC 60947-7-2

Current: 34A

USLKG6

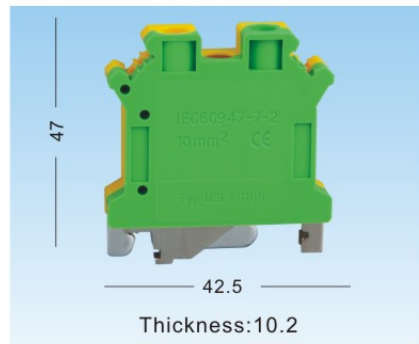
M4 "..." 10mm

Solid wire (mm ²)	Stranded wire
0.2-10	0.2-6

IEC 60947-7-2

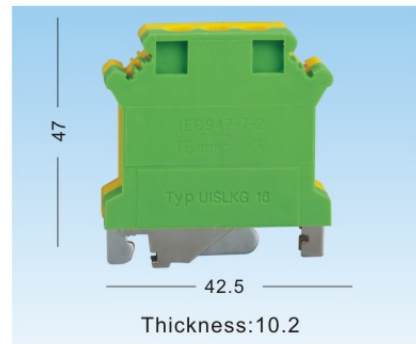
Current: : 37A

UK Series terminal blocks



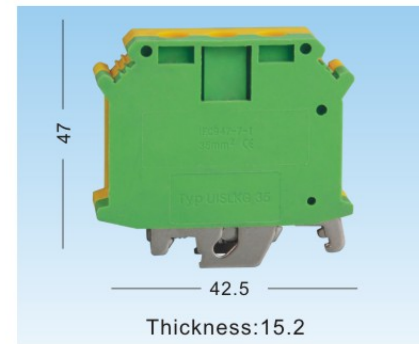
USLKG10

M4	"...10"	12mm
Solid wire (mm ²) 0.5-10	Stranded wire 0.5-6	
IEC 60947-7-2		



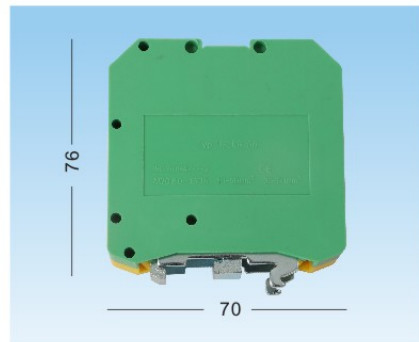
USLKG16

M4	"...10"	12mm
Solid wire (mm ²) 2.5-25	Stranded wire 4-16	
IEC 60947-7-1		



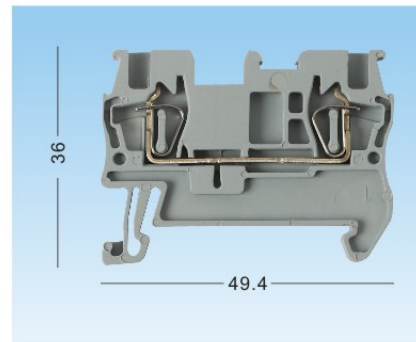
USLKG35

M6	"...10"	16mm
Solid wire (mm ²) 0.75-50	Stranded wire 0.75-35	
IEC 60947-7-2		



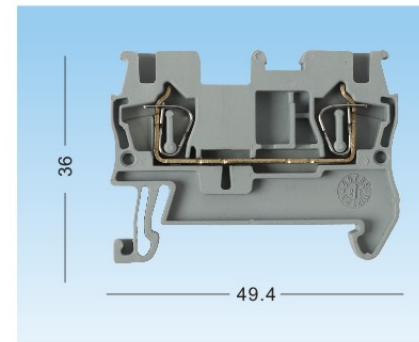
USLKG50

M6	"...10"	16mm
Solid wire (mm ²) 16-50	Stranded wire 25-50	
IEC 60947-7-2		
电流: 150A		



ST1.5

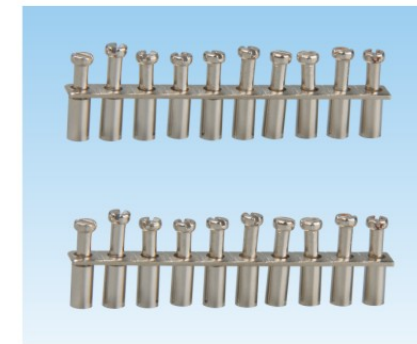
Technical data	IEC	UL
Rated current	17.5	15
Rated voltage	500	300
Rated cross-section	0.4-1.5 AWG26-16	
Rated impulse withstand voltage /pollution severnity	8/3/III/I	
Insulating matenal/UL94 flammability rating ofinsulation material	PA66/VO	
Marker card	ZB4	
Jumper	FBS2-4	FBS10-4
	FBS3-4	
End stop	E/UK	



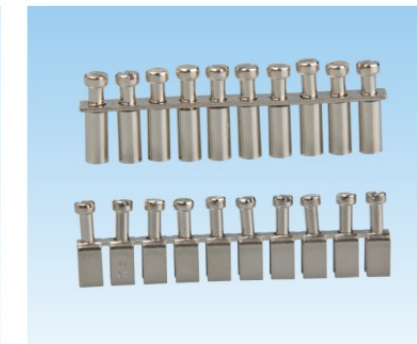
ST2.5

Technical data	IEC	UL
Rated current	20	20
Rated voltage	800	600
Rated cross-section	0.2-2.5 AWG26-12	
Rated impulse withstand voltage /pollution severnity	8/3/III/I	
Insulating matenal/UL94 flammability rating ofinsulation material	PA66/VO	
Marker card	Zb5	
Jumper	FBS2-5	FBS5-5
	FBS3-5	FBS10-5
End stop	E/UK	

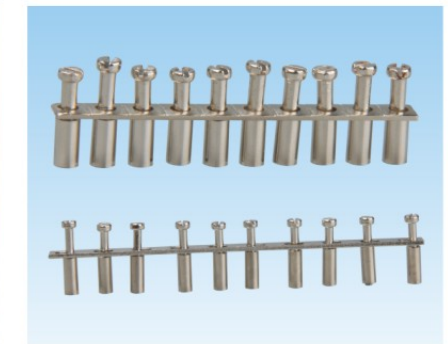
UK Series terminal blocks



**Fb1 10-4/10-5/10-6
Center type short connector**



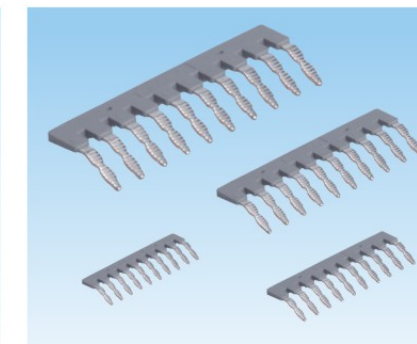
**Fb1 10-8/10-10/10-12
Center type short connector**



**Fb1 10-6/10-8/10-10/10-12
Center type short connector**



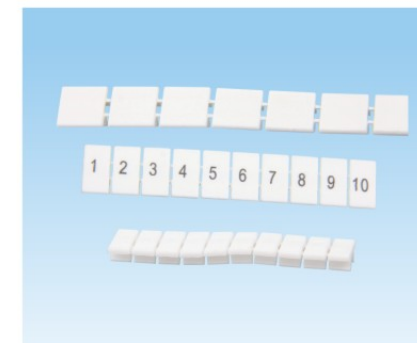
**Fb1 1-15 Fb10-URTK/S
Fb1-15
Center type short connector**



**UK series side plug-in
short connector**



UK series internals



UK marker bar



Terminal Fixtures